

SC20F70 Series  
SC07F80 Series

# Vacuum Cleaner user manual

- \* Please read the User Manual thoroughly before operating the vacuum.
- \* For indoor use only.

English

imagine the possibilities

Thank you for purchasing a Samsung product.  
To receive a more complete service,  
please register your product at  
[www.samsung.com/register](http://www.samsung.com/register)

**SAMSUNG**

# Contents

---

## **YOUR VACUUM CLEANER**

07

## **BEFORE USING THE VACUUM CLEANER**

08

- 08 Assembly
- 09 Using the UV brush (Option)
- 09 Installing the Dust Sensor (Option)
- 10 Using accessory

## **OPERATING CLEANER**

12

- 12 Power cord
- 12 Check filter
- 12 ON/OFF
- 13 Power control
- 14 Dust Sensor (Option)

## **MAINTENANCE**

15

- 15 Cleaning the dust bin and grille
- 18 Cleaning the outlet filter
- 19 Maintain floor tools

## **TROUBLESHOOTING**

22

# Safety information

## SAFETY INFORMATION



- Before operating the appliance, please read this manual thoroughly and retain it for your reference.



- Because the following operating instructions cover various models, the characteristics of your vacuum cleaner may differ slightly from those described in this manual.

## CAUTION/WARNING SYMBOLS USED

	Indicates that a risk of death or serious injury exists.
	Indicates that a risk of personal injury or material damage exists.

## OTHER SYMBOLS USED

	Represents something you must NOT do.
	Represents something you must follow.
	Indicates that you must disconnect the power plug from the socket.



This vacuum cleaner is designed for household use only.

Do not use this vacuum cleaner to clean building waste or debris.

Regularly keep the filters in clean conditions to prevent of collecting fine dust in them.

Do not use this vacuum cleaner with any of the filters removed.

**Failure to meet these requirements could cause injury, damage the vacuum cleaner and void your warranty.**

## IMPORTANT SAFEGUARDS

---

### GENERAL

- Read all instructions carefully. Before switching on, make sure that the voltage of your electricity supply is the same as that indicated on the rating plate on the bottom of the cleaner.
- **WARNING** : Do not use the vacuum cleaner when rug or floor is wet. Do not use to suck up water.
- Close supervision is necessary when any appliance is used by or near children. Do not allow the vacuum cleaner to be used as a toy. Do not allow the vacuum cleaner to run unattended at any time. Use the vacuum cleaner only for its intended use as described in these instructions.
- Do not use the vacuum cleaner without a dust bin. Empty the dust bin before it is full in order to maintain the best efficiency.
- Do not use the vacuum cleaner to pick up matches, live ashes or cigarette butts. Keep the vacuum cleaner away from stoves and other heat sources. Heat can deform and discolour the plastic parts of the unit.
- Avoid picking up hard, sharp objects with the vacuum cleaner as they may damage the cleaner parts.  
Do not stand on the hose assembly. Do not put weight on the hose.  
Do not block the suction or the exhaust port.
- Switch the vacuum cleaner off on the body of the machine before unplugging from the electrical outlet. Disconnect the plug from the electrical outlet before emptying the dust bin. To avoid damage, please remove the plug by grasping the plug itself, not by pulling on the cord.
- This appliance can be used by children aged from 8 years and above and people with reduced physical, sensory or mental capabilities or lack of experience and knowledge if they have been given supervision or instruction concerning use of the appliance in a safe way and understand the hazards involved.

Children shall not play with the appliance. Cleaning and user maintenance shall not be done by children without supervision.

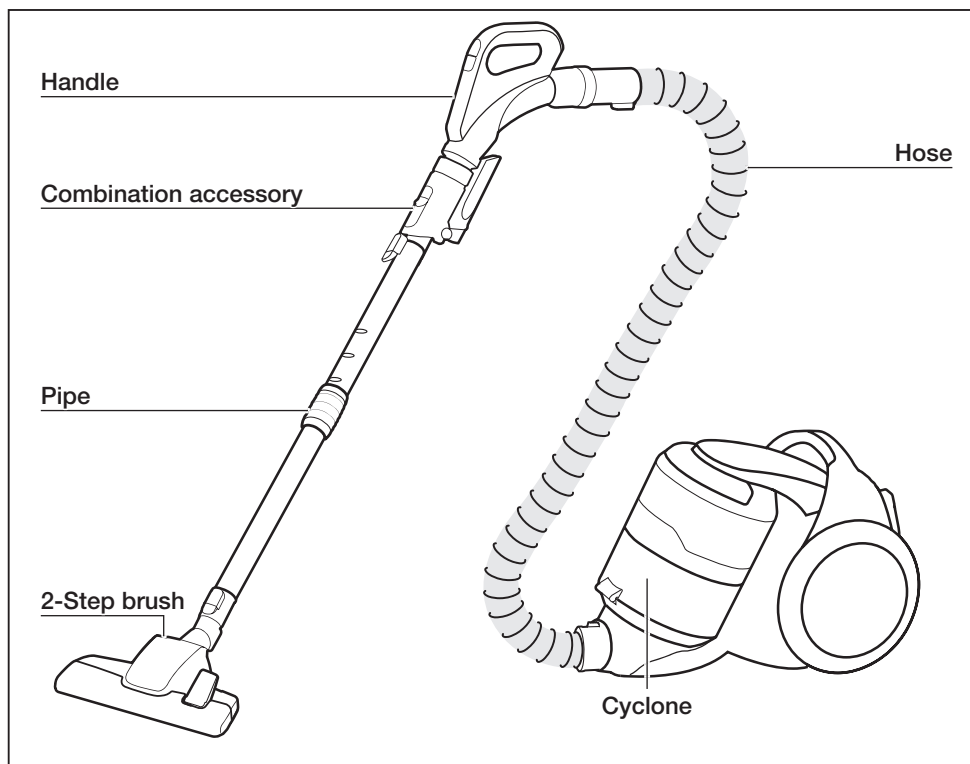
- Children should be supervised to ensure that they do not play with the appliance.
- The plug must be removed from the socket outlet before cleaning or maintaining the appliance.
- The use of an extension cord is not recommended.
- If your vacuum cleaner is not operating correctly, switch off the power supply and consult an authorized service agent.
- If the supply cord is damaged, it must be replaced by the manufacturer or its service agent or a similarly qualified person in order to avoid a hazard.
- Don't carry the vacuum cleaner by holding the hose. Use the handle on the vacuum cleaner set.
- Unplug the cleaner when not in use. Turn off the power switch before unplugging.

## **UV BRUSH**

- Since the UV rays from the UV Brush damage skin and eyes, never allow the rays to make contact with skin or eyes and do not let children or the elderly use the UV Brush. If used incorrectly it may cause damage to a persons eyesight.
- If the transparent window is broken and the UV rays are exposed directly, turn the power off and contact the service center.
- Do not use the UV Brush for purposes other than the sterilization of mattresses, bedclothes, beds, cushions and so on made from material. The company will not be held liable for any loss due to accidents from using the UV Brush for purposes other than its original purpose as listed above.
- Do not sit on the UV Brush or drop it, and avoid imparting impacts on the product. Failing to do so may result in injury or product damage.
- Do not touch the power terminals on the back of the UV Brush with a metal pin or rod. This may result in electric shock or fire.

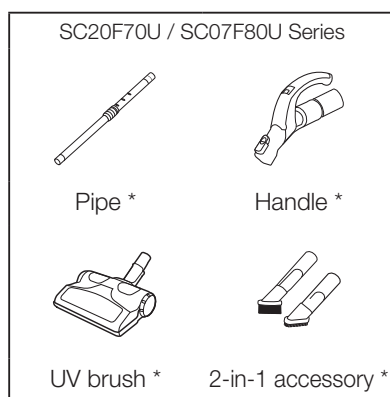
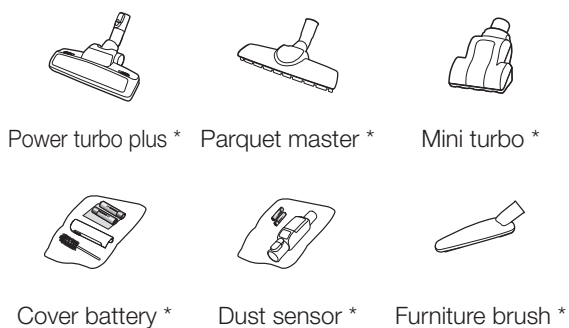
- When the UV lamp is out of order, never disassemble or modify the product yourself.  
Please contact the manufacturer or service center for a replacement.
- Since an internal discharge occurs within the UV Brush, never use the product near an inflammable spray or substance.
- Take care not to touch the UV lamp window after using the UV Brush for an extended period of time as the surface of the window may be hot.
- The UV Brush may start slowly at a low temperature due to the inherent characteristics of UV lamps. Please keep the UV Brush indoors.

# Your vacuum cleaner



01 YOUR VACUUM CLEANER

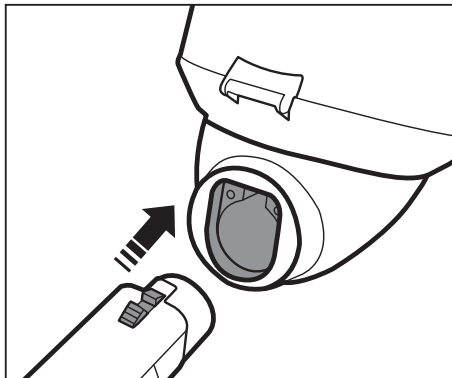
## OPTION (Depending on model) \*



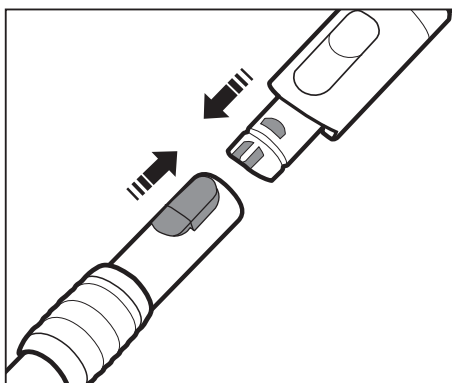
# Before using the vacuum cleaner

## ASSEMBLY

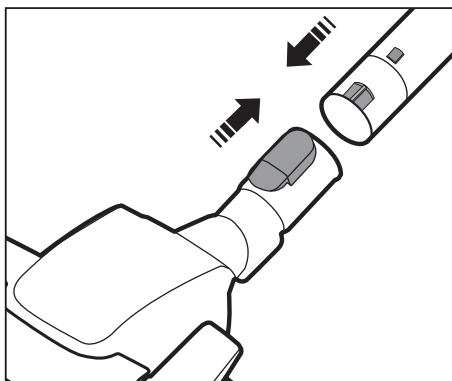
### Connecting the Hose



### Connecting the handle and pipe



### Connecting the brush

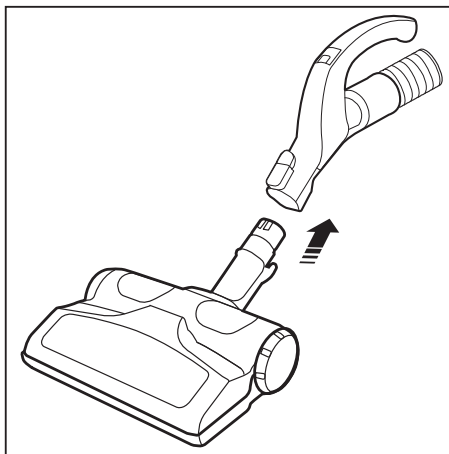




## USING THE UV BRUSH (OPTION)

### Connecting the brush into the hose handle

There will be a “clicking” sound when the UV brush has been installed securely on the hose handle.



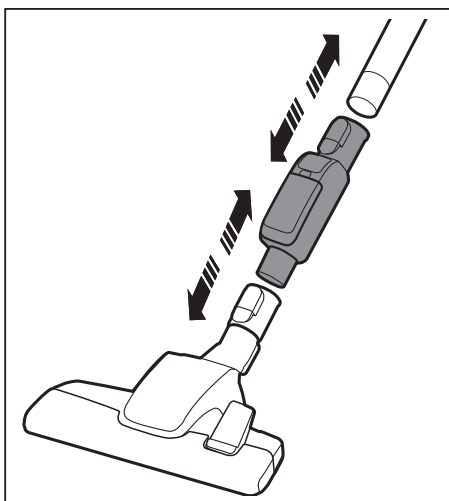
For safety reasons, UV brushing only runs for 30 minutes and then stops operating. To resume the operation, press the [BRUSH ON/OFF] button again.



The UV brush, which is assembled into the hose handle (not directly connected to the pipe), is dedicated for bedclothes.

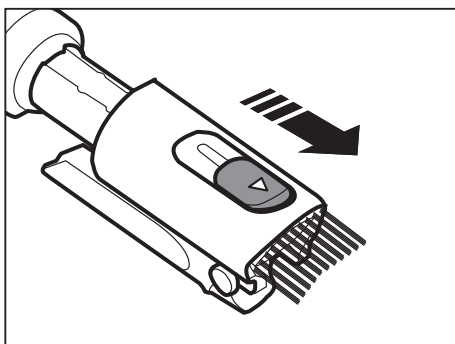
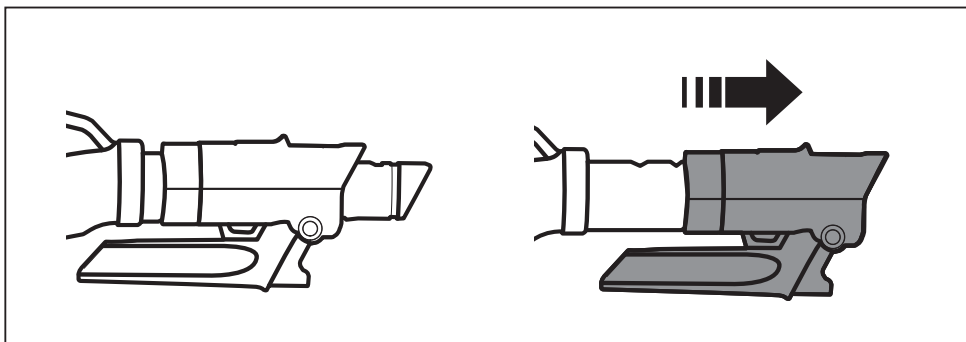
## INSTALLING THE DUST SENSOR (OPTION)

**Assemble the dust sensor**  
between the brush and the pipe  
between the pipe and the hose

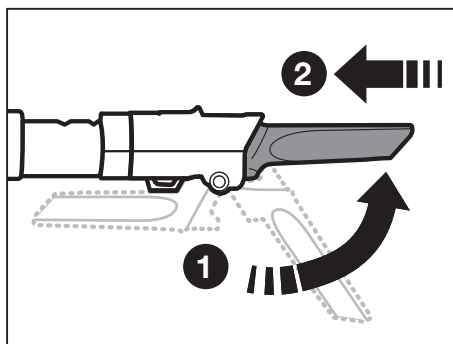


## USING ACCESSORY

### Combination accessory (Option)



Dusting brush



Crevice tool

### Accessories (Option)

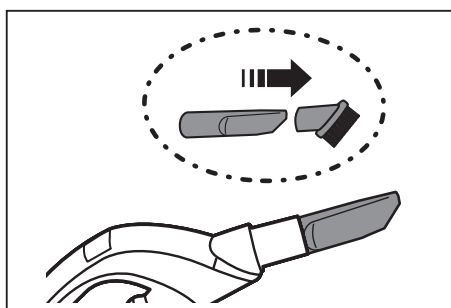
Install the accessory to the handle.



Dusting brush



Crevice tool

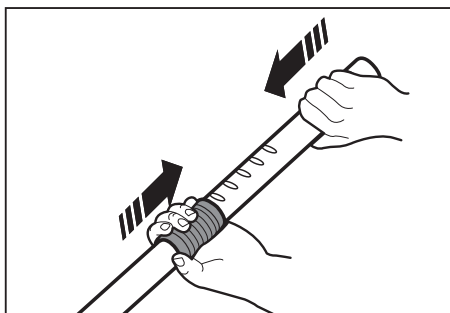


**Dusting brush** - For cleaning moldings, carved articles, etc.

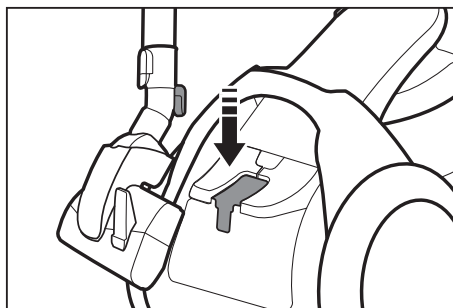
**Crevice tool** - For cleaning in folds, crevices and corners.

## Pipe

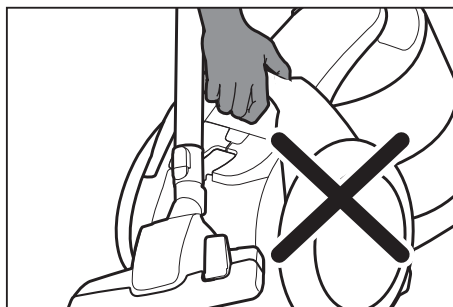
Adjust the length of the pipe by sliding the length control button located in the center of the telescopic pipe.



## For storage, park the floor nozzle

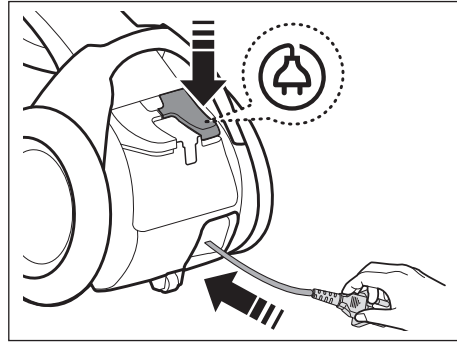
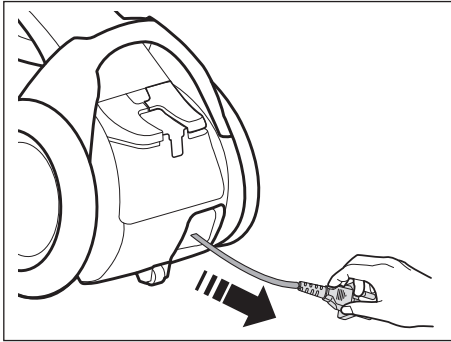


Do not pick up a machine while the floor nozzle parked.

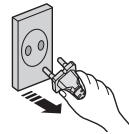


# Operating cleaner

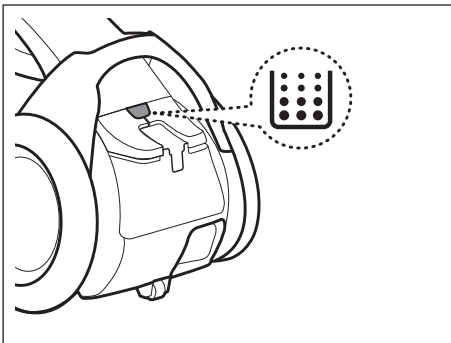
## POWER CORD



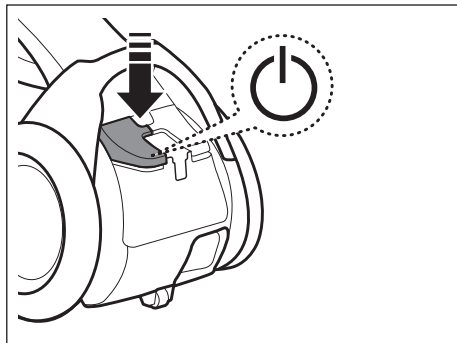
When removing the plug from the electrical outlet, grasp the plug, not the cord.



## CHECK FILTER



## ON/OFF



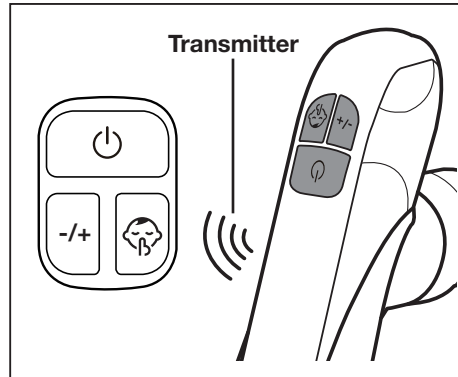
The filter light is illuminated when the dust pack requires checking or emptying.

## POWER CONTROL

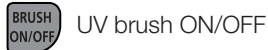
### Hose (controlled by radio frequency signals)



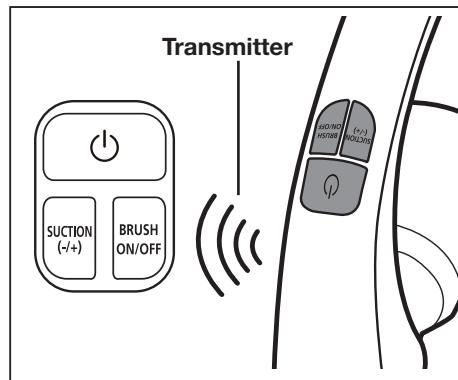
#### SC20F70H / SC07F80H Series



#### SC20F70U / SC07F80U Series



- ★ UV sterilization cannot be activated by itself.
- Press the [SUCTION (-/+)] and [BRUSH ON/OFF] for operation.

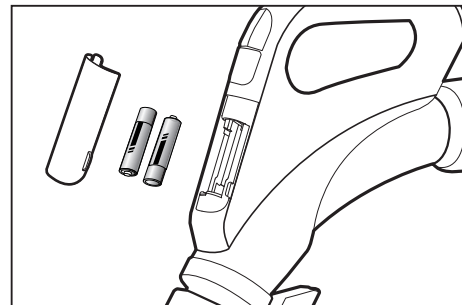


- ★ Don't cover the handle transmitter when you use a handle control.
- If no button is pressed for 30 minutes while cleaning, the power will shut off as a precaution. If this happens, press the button on the main unit or replug the power cord in again.



- Never disassemble or recharge the batteries.
- Never heat up the batteries or throw them into a fire.
- Do not reverse (+), (-) poles.
- Dispose of the batteries property.

BATTERY TYPE : AAA Size



## DUST SENSOR (OPTION)

### Dust Sensor Operations

- Indicates the amount of dust being picked up and passing by the sensor which assist the user to clean more efficiently.
- The dust sensor is activated automatically when the cleaner runs and is turned off when the cleaner is stopped.

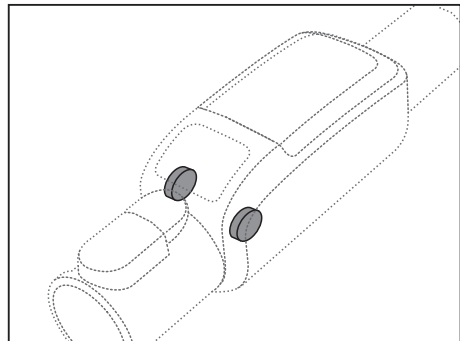
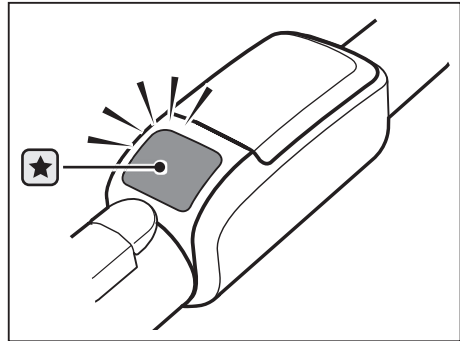


**Green** : Amount of dust passing sensor is small.

**Red** : Amount of dust passing sensor is large.

#### If the red light does not light up when cleaning a dusty location

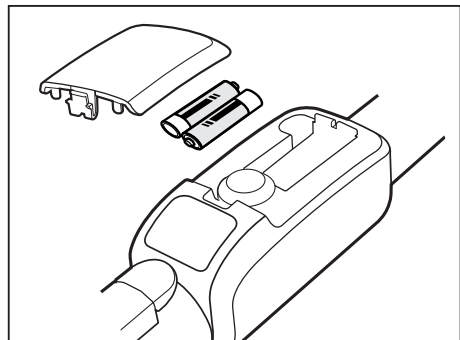
- Clean the sensors (2EA) with a dry cloth.
- Take care when you use the cleaner because the dust sensor may malfunction or may break due to an impact.



### Installing the Batteries


If the dust sensor does not work, change the batteries.

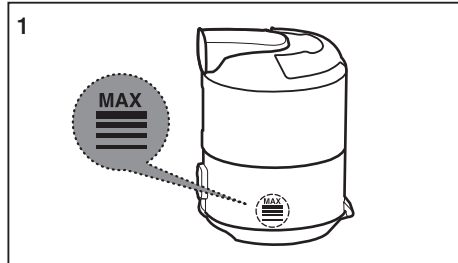
**BATTERY TYPE : AAA Size** 



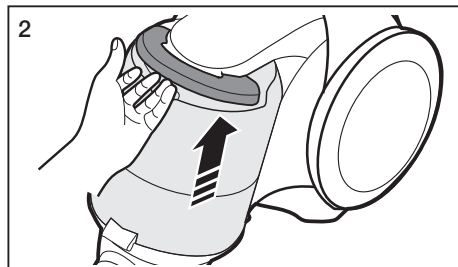
# Maintenance

## CLEANING THE DUST BIN AND GRILLE

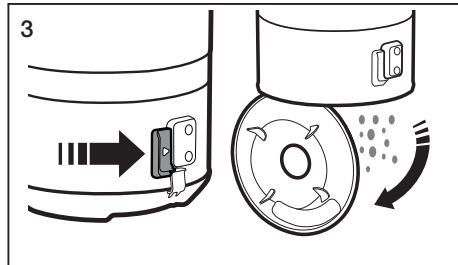
Empty the dust bin, if dust reaches 'MAX' or Check filter (  ) light is illuminating.



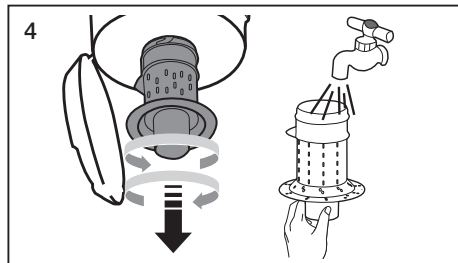
Take the dust bin out by lifting the handle.



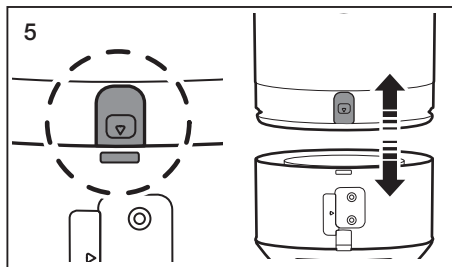
Push the button aside.



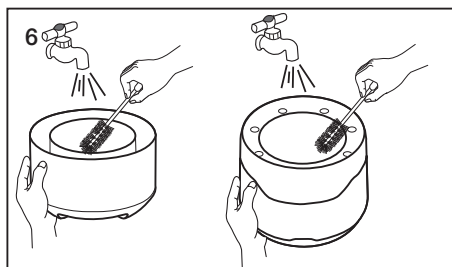
Turn the grille and take out it.



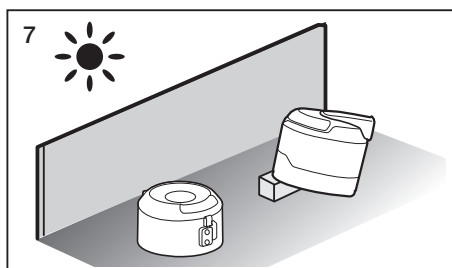
Push the button.  
Separate the dust bin from body.



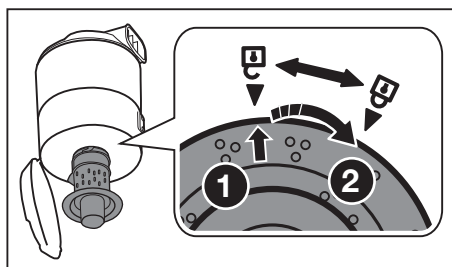
Clean the dust bin and body with water.



Leave the dust bin and body in the shade until completely dry.



Install the grille and turn to clockwise.

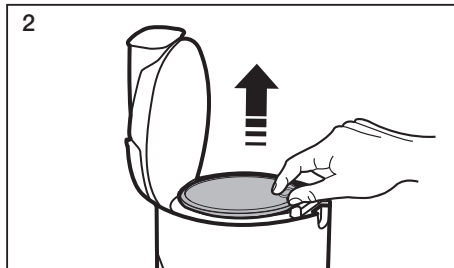




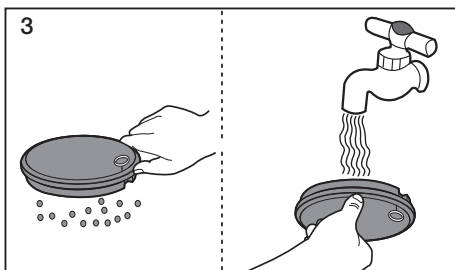
## CLEANING THE DUST FILTER



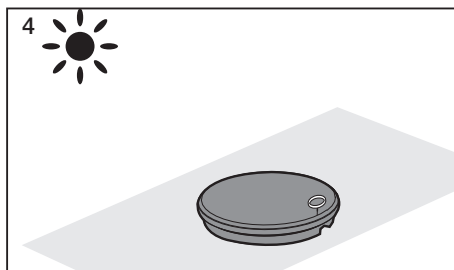
1 Pull the dust bin cover to open.



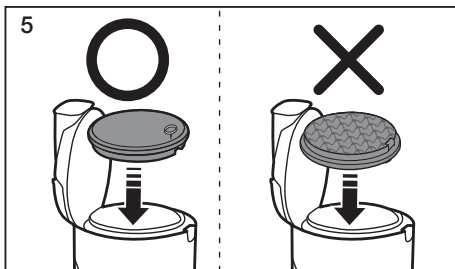
2 Remove the filter from the dust bin.




3 Shake the filter to remove dust, then wash the filter.



4 Let the filter dry for more than 12 hours.

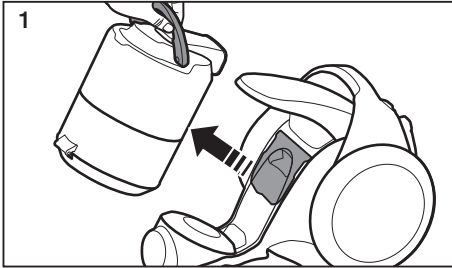


5 Put the filter into the dust bin.

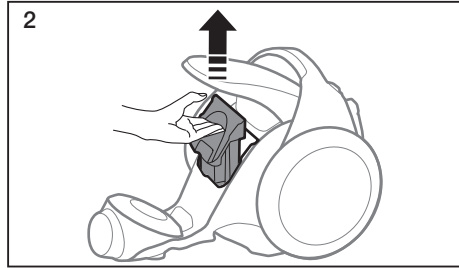
-  Make sure the filter is completely dry before putting it back into the vacuum cleaner. Allow 12 hours for it to dry.
- Do not use wet filter.
- Replace the dust filter if it becomes damaged or deformed.
- The dust bin cover will not close if the filter is not installed correctly.



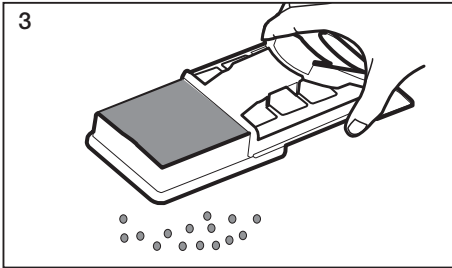
## CLEANING THE OUTLET FILTER



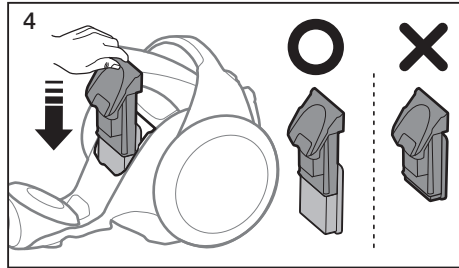
1 Take the dust bin out by lifting the handle.



2 Pull out the HEPA Filter.



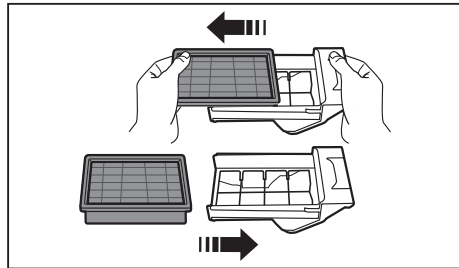
3 Shake the HEPA Filter to clean.



4 Install the filter and holder in main body.



- The filter can be replaced and separated from holder by pulling.



- Clean the outlet filter when suction is noticeably reduced continuously or the vacuum cleaner abnormal overheads.  
Note: HEPA Filters are not washable.  
Replace filter if cleaning does not resolve the problem.
- Recommend that HEPA Filter should be changed once in 6 month.

## MAINTAIN FLOOR TOOLS

### 2-Step Brush

- Adjust the inlet lever according to the floor surface.

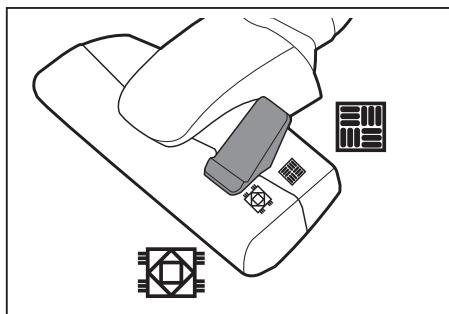


Carpet

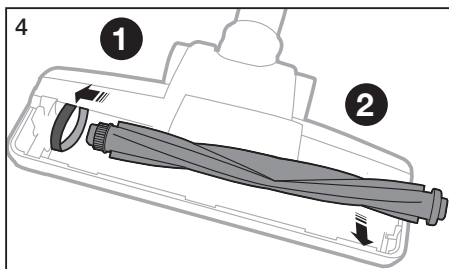
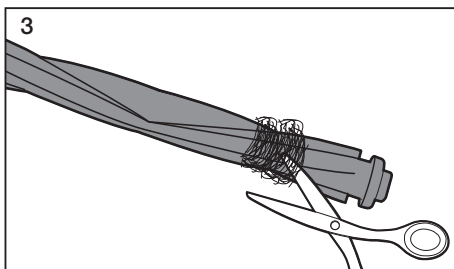
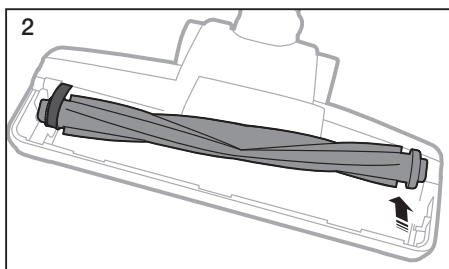
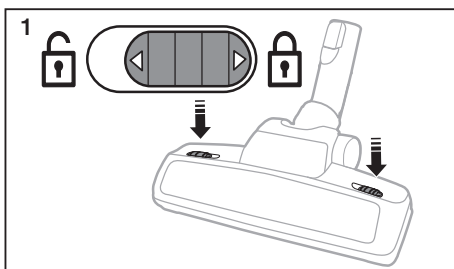


Floor

- Remove waste matter completely if the inlet is blocked.




### Power Turbo Plus Brush (Optional Accessory)

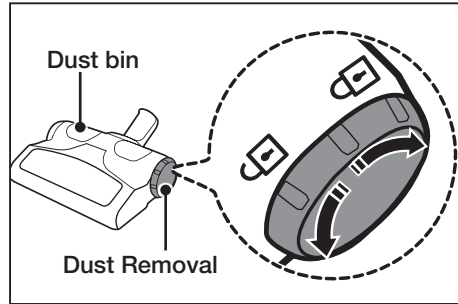


Frequent vacuuming of hair or pet fur may reduce cleaning effectiveness over time due to matters tangled around the drum. In this case, clean the drum with care.

## To remove dust from the dust bin of the UV brush (Option)

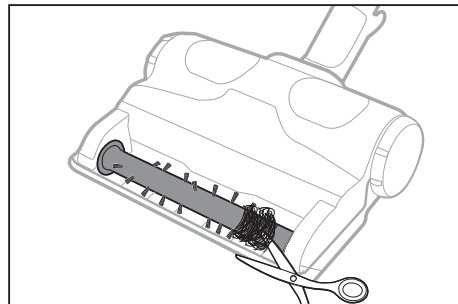
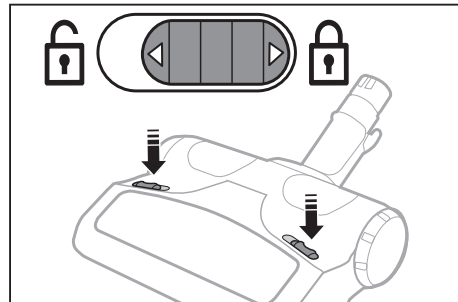
When the dust bin is filled, turn the [Dust Removal] switch to empty the dust bin.

- While the cleaner is operating (suction), the vacuum will suck the material from the dust bin to the main unit.
- While the [Dust Removal] switch is in the  position, the suction power of the cleaner is reduced.



## Cleaning the UV brush (Cleaning the drum) (Optional Accessory)

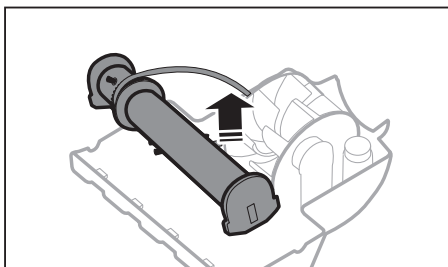
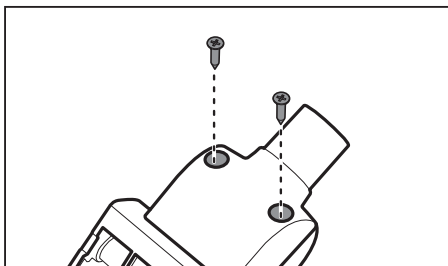
Frequent vacuuming of hair or pet fur may reduce cleaning efficiency overtime due to matters tangled around the drum. In this case, clean the drum with care.



## Mini turbo brush (Optional Accessory)

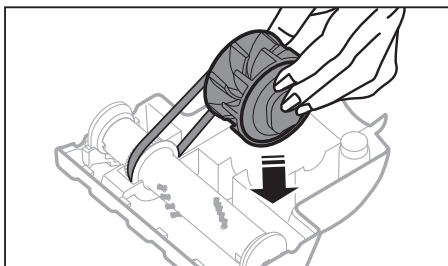
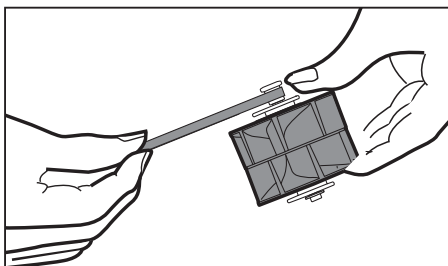
### - To check brushroll

- ★ Check brushroll, when a clog is present or debris is visible.



### - To check belt

- ★ Inspect belt to ensure that it is in good condition.  
If belt is broken or cracked, replace belt according to instructions.



# Troubleshooting

---

<b>PROBLEM</b>	<b>SOLUTION</b>
<b>Motor does not start.</b>	<ul style="list-style-type: none"><li>• Check cable, plug and socket.</li><li>• Leave to cool.</li></ul>
<b>Suction force is gradually decreasing.</b>	
<b>In operation, the vacuum cleaner stops after repeating runs and stops three times.</b>	<ul style="list-style-type: none"><li>• Check for blockage and remove.</li><li>• Please unclog the intake.</li></ul>
<b>Cord does not rewind fully.</b>	<ul style="list-style-type: none"><li>• Pull the cord out 2-3 m and push down the cord rewind button.</li></ul>
<b>Vacuum cleaner does not pick up dirt.</b>	<ul style="list-style-type: none"><li>• Check hose and replace if required.</li></ul>
<b>Low or decreasing suction.</b>	<ul style="list-style-type: none"><li>• Please check filter and, if required, clean as illustrated in the instructions. If filters are out of condition change them to new ones.</li></ul>
<b>Body overheating.</b>	<ul style="list-style-type: none"><li>• Please check filters, if required clean as illustrated in the instruction.</li></ul>
<b>Static electricity discharge.</b>	<ul style="list-style-type: none"><li>• Please decrease power suction.</li><li>• This can also occur when air in the room is very dry. Please ventilate the room till air humidity becomes normal.</li></ul>
<b>The vacuum cleaner makes a strange noise.</b>	<ul style="list-style-type: none"><li>• In order to protect the motor in the cleaner, it rotates slowly when you just turn on the cleaner. (Before the motor stabilizes,) this causes the loud noise at the initial state and it is not failure in the machine.</li></ul>

Memo

---



If you have any questions or comments relating to Samsung products, please contact the SAMSUNG customer care center.

<b>COUNTRY</b>	<b>CUSTOMER CARE CENTER</b>	<b>WEB SITE</b>
AUSTRALIA	1300 362 603	<a href="http://www.samsung.com/au">www.samsung.com/au</a>
HONG KONG	3698-4698	<a href="http://www.samsung.com/hk">www.samsung.com/hk</a> <a href="http://www.samsung.com/hk_en">www.samsung.com/hk_en</a>
MALAYSIA	1800-88-9999	<a href="http://www.samsung.com/my">www.samsung.com/my</a>
SINGAPORE	1800-SAMSUNG(7267864)	<a href="http://www.samsung.com/sg">www.samsung.com/sg</a>



DJ68-00701F-01