



Top Load Washer 8kg

USER MANUAL

MTWM80



CONTENTS

Safety information	2
Identifying parts of the Washer	3
Installation	4-6
Control Features and Functions	7-8
Wash Programs	9
Wash Guide	10-11
Cleaning & Maintenance	12
Troubleshooting Guide	13
Repairs, Service & Warranty	14
Specifications	15

SAFETY INFORMATION

Congratulations on your new Midea washer. This manual contains important information on the installation, use and care of your appliance. Please read this manual carefully before use. Follow instructions and keep the manual for future reference.



WARNING symbol

The WARNING symbol indicates information that concerns your personal safety



CAUTION symbol

The CAUTION symbol indicates information on avoiding damage to the appliance

Safety precautions

- This appliance is not intended for use by persons (including children) with reduced physical, sensory or mental capabilities, or lack of experience and knowledge, unless they have been given supervision or instruction concerning use of the appliance by a person responsible for their safety.
- Young children should be supervised to ensure that they do not play with the appliance.
- Keep ventilation openings in the appliance enclosure or in the built in structure clear of obstruction.
- Choose a location that is indoors, completely dry and away from damp environments.
- The washer is designed to operate on a single phase power supply within a voltage range of 220~240V/50Hz.
- Please keep the appliance away from substances which could cause ignition.
- Do not store inflammable materials such as ether, benzene, LP gas and glue etc near the appliance.
- Do not splash water on the rear of the appliance, for it may cause malfunction or electric shock.
- Before cleaning the appliance, always switch off and unplug it.
- Do not disassemble any part of the clothes washer.
- Do not insert your hand and remove items from the washer until it has come to a complete stop.
- Do not splash, wet or hose down the appliance. It is recommended to use a damp cloth when cleaning the cabinet.
- Do not attempt to wash fabrics that contain latex or rubber material.
- Do not place items that have come in contact with any flammable materials such as petrol/gasoline, kerosene, cleaning solvents, vegetable oil, cooking oil or any explosive substances.
- Do not place heat sources (candle, heater, etc.) on top of or near the washer.
- Do not sit children or heavy object on top of the washer.
- Do not pull the power cord out of the power socket by the cord. Always unplug the washer holding the plug.
- If the supply cord is damaged, it must be replaced by the manufacturer, its service agent or similarly qualified persons in order to avoid hazard.
- When disposing of the appliance, do so only at an authorised waste disposal centre.

Safety of children

Packaging (e.g. wraps, polystyrene, etc.) can be dangerous for children. There is a risk of suffocation. Keep packaging materials away from children. Remember to dispose of old appliances in accordance with local laws. Pull out the mains plug, cut off the mains cable, break or remove spring or bolt catches if fixed and ensure that children cannot lock themselves in the appliance when playing (there is risk of suffocation) or involve themselves in other dangers. Children cannot recognise the hazard present in household appliances themselves, therefore it is very important for parents to make adequate supervision and never let children play with appliances.

IDENTIFYING PARTS OF THE WASHER

power plug & cord

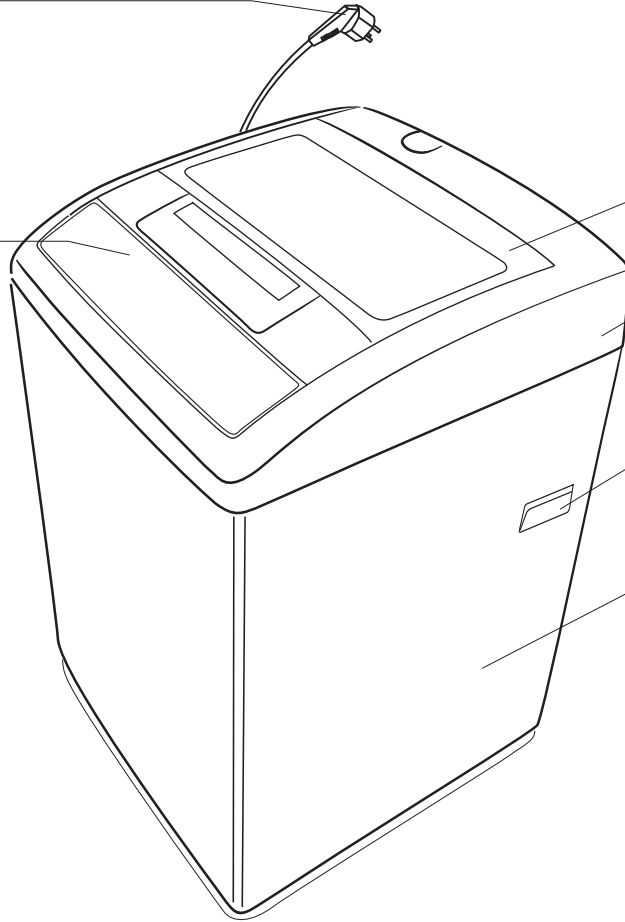
control panel

top lid

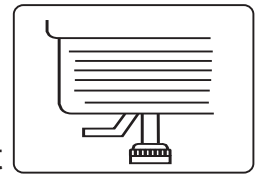
frame

handle

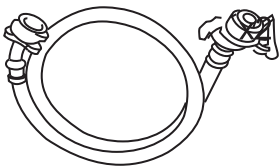
cabinet



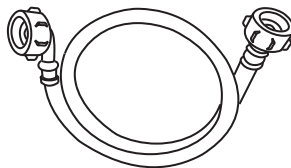
adjustable foot



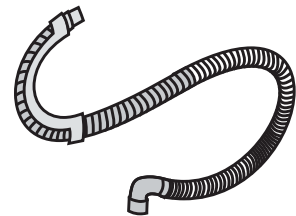
Accessories



cold water inlet hose assembly



hot water inlet hose assembly

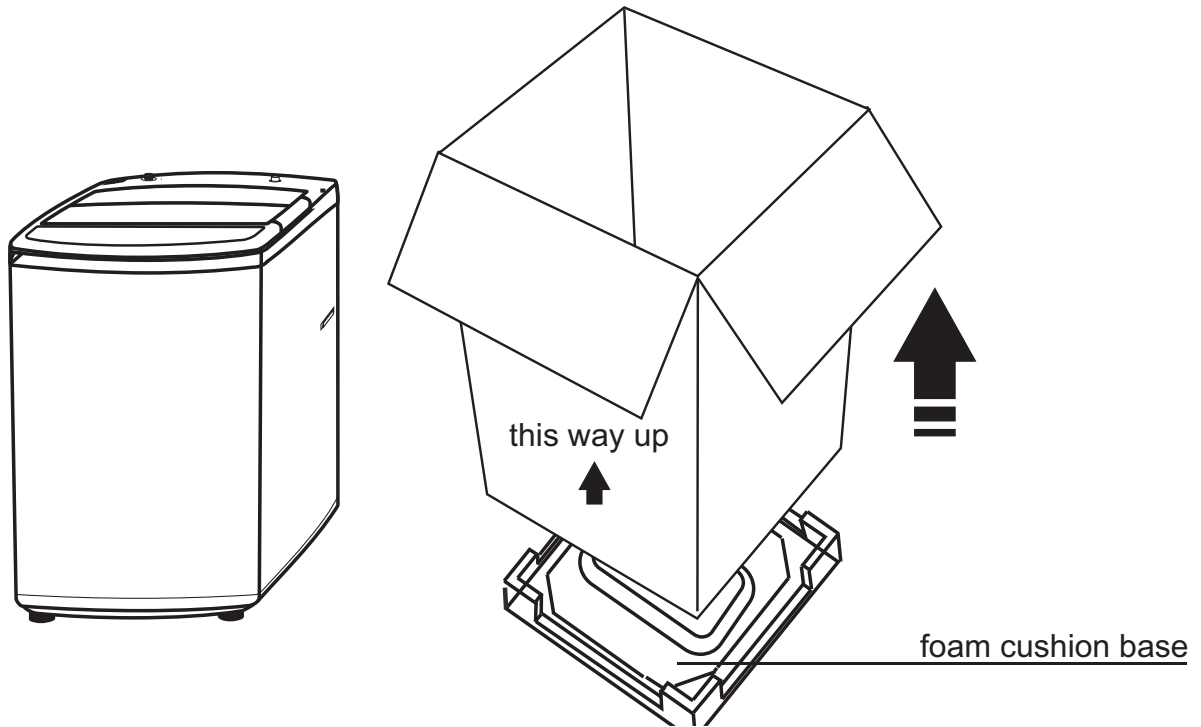


drain hose

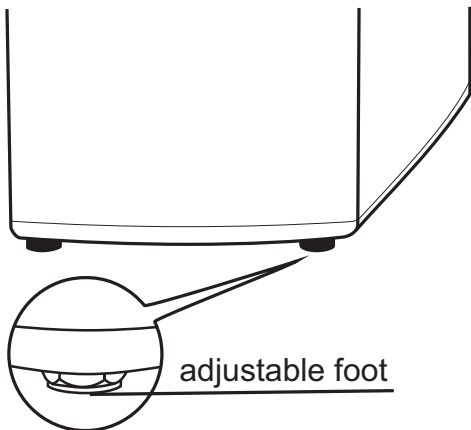
INSTALLATION

Unpack the clothes washer

1. Remove the washer from the carton by lifting the carton away from the foam cushion base.
2. Lift the washer lid and remove the accessories from inside the washer.
3. Ensure the foam cushion base is removed before installing the washer in place.



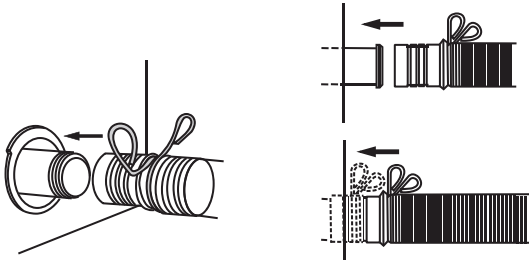
Level the clothes washer



The clothes washer can be levelled by adjusting the front two feet. Adjust the foot by turning clockwise to extend or anti clockwise to shorten. Slightly tilt the clothes washer back to access the adjustable foot. Ensure all four corners are flat and level to the surface it is placed on. Ensure the clothes washer is level and stable prior to starting each wash. An unstable clothes washer can cause the drum to shake during a wash and knock against the cabinet.

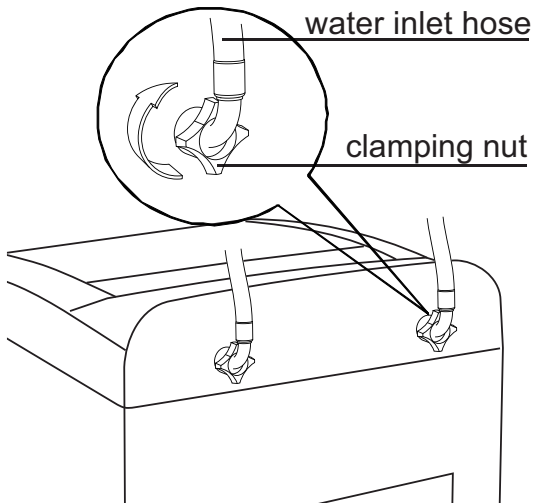
INSTALLATION

Install & Fit the Drain Hose

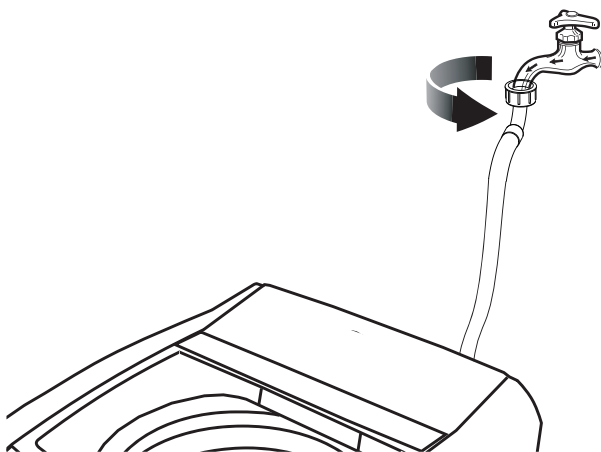


1. Slide the drain hose completely over the clothes washer drain outlet.
2. Fix in place securely to prevent leakage.

Install the water inlet hose



1. Fasten one end of the inlet hose to the tap. Ensure there is a rubber washer inside the hose before fastening. The washer prevents water leakage.
2. Securely tighten the other end of the inlet hose to the clothes washer inlet valve. Ensure the rubber washer is inside the hose before tightening.
3. When tightening the clamping nut, apply even pressure. Do not apply too much force or twist the valve as this may damage or break the valve joint.

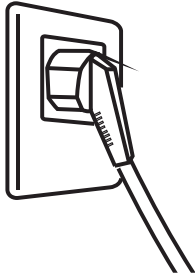


PLEASE NOTE

Be sure to install the correct HOT and COLD water inlet hoses. Incorrect installation can reduce performance or damage the clothes washer.

INSTALLATION

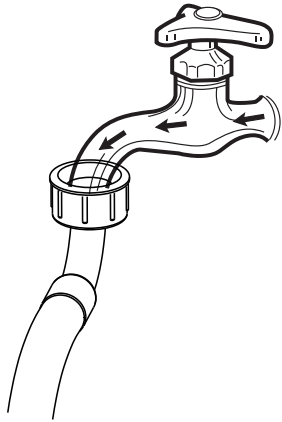
Connect to a power source



NOTE: Ensure your hands are completely dry before touching the mains outlet, any electrical plugs or cables.

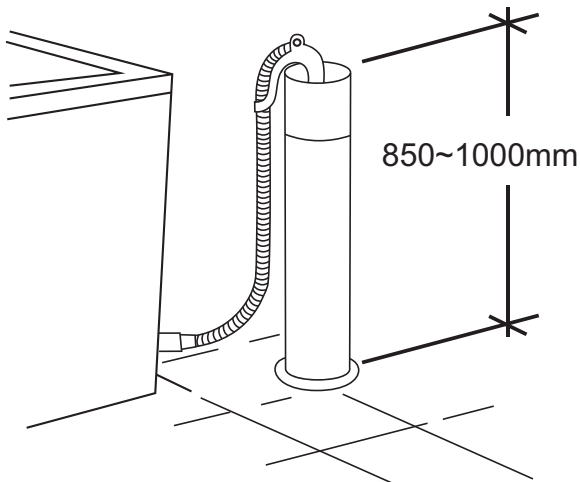
Ensure the clothes washer is securely plugged into the mains power supply and it is switched to the ON position.

Open the main water supply



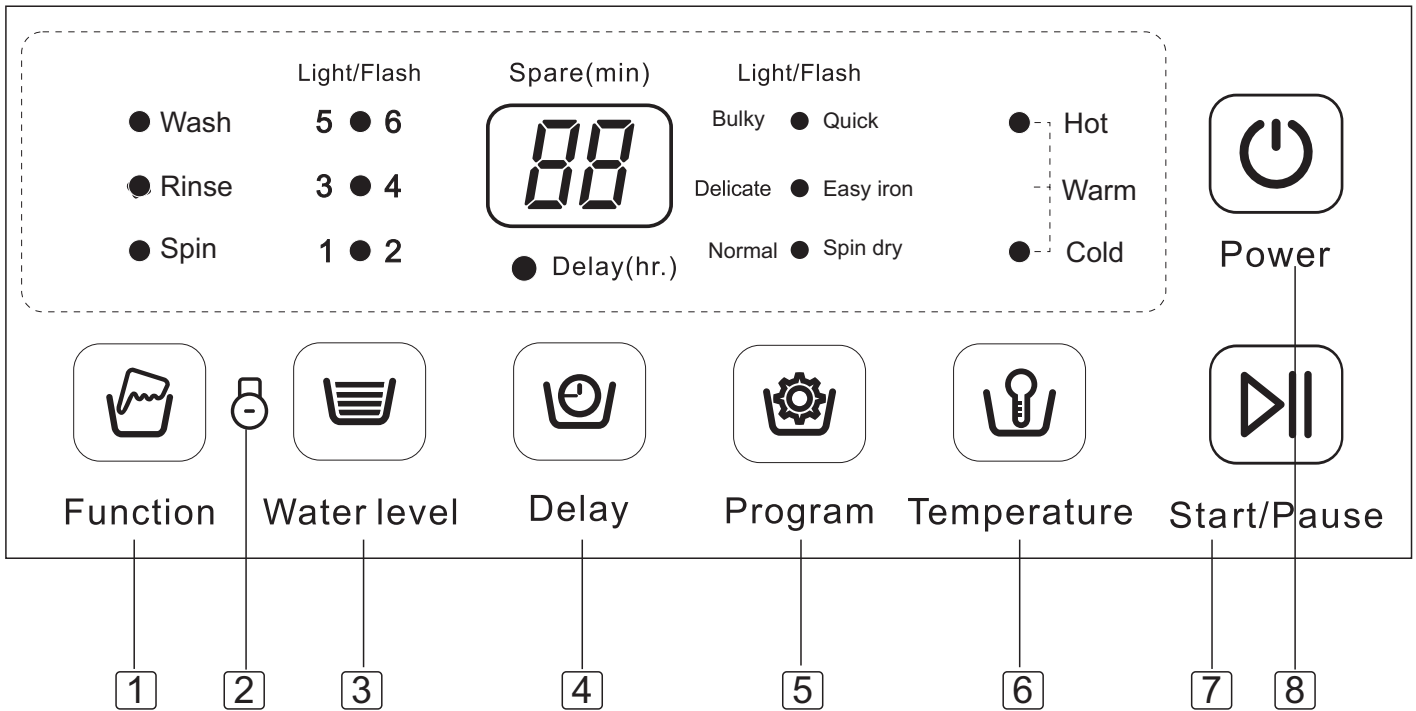
Ensure the water mains are in the open position and a steady water supply is available to the clothes washer.

Position the drain hose



Ensure the drain hose is correctly mounted between 850 to 1000mm above the ground. The drain water may overflow if the drain hose is below 850mm or decrease flow if placed above 1000mm.

CONTROL FEATURES AND FUNCTIONS



1	Function	<p>Press this button to adjust the WASH, RINSE or SPIN cycle of your selected wash program. The cycle selection will change with each press of the button.</p> <p>Eg: on the default setting of the Bulky program, all three functions will be displayed as: WASH + RINSE + SPIN.</p> <p>The cycles will change to the following combinations with each press of the Function button (solid lights will indicate the combination selected):</p> <ol style="list-style-type: none"> (1) WASH (2) WASH + RINSE (3) RINSE + SPIN (4) SPIN (5) reverts back to the start combination of WASH + RINSE + SPIN
2	Child Lock	<p>Once a wash program has started, press both Function and Water Level until "CL" appears on the display. Repeat the process to unlock the control panel.</p>
3	Water Level	<p>Press this button to select from the lowest (1) to the highest (6) water level. Each press will increase the selected water level by 1.</p> <p>Levels 1 - 3 - 5 will be selected when the corresponding light is solid</p> <p>Levels 2 - 4 - 6 will be selected when the corresponding light is flashing</p>

CONTROL FEATURES AND FUNCTIONS

4	Delay Start	Press this button to enable the delay start feature. Each press will increase the delay time by 1 hour. Once 24 hours is reached, each press will increase the delay by 6 hours until 48 hours is reached. To disable, press the delay start button once when 48 is displayed. The Delay light will be off indicating that delay start has been cancelled.
5	Program	Press this button to select from the 6 wash programs. Bulky - Delicate - Normal will be selected when the corresponding light is solid Quick - Easy Iron - Spin Dry will be selected when the corresponding light is flashing
6	Temperature	Press this button to select the water temperature used during a wash. Temperature selection is available in Bulky and Normal wash programs only. Choose between hot, cold and warm (both hot and cold lights will be displayed to indicate warm).
7	Start/Pause	Press this button once a wash program has been selected to start the program. Once a wash has begun, press this button to pause the program. Press Start/Pause again to resume.
8	Power	Press this button to switch the washer on and off. Press once to switch on. When finished a wash program, press to switch off. When a wash program is complete (buzzer sounds 6 times) or not started within 10 minutes, the washer will automatically switch off.

Note:

The clothes washer will automatically stop if the lid is left open once the SPIN cycle begins. If this occurs, there will be a warning buzzer and error code displayed. The clothes washer will not start a wash cycle if the selected water level can not be reached. Please refer to Page 13 for troubleshooting instructions.

Auto Unbalance Adjustment

During a wash cycle, if the laundry is not evenly placed, the clothes washer will sense it is unbalanced and attempt to correct itself. The clothes washer attempts to correct the unbalanced laundry for approximately 1 minute by adding water and draining. It will attempt to correct itself 2 times. If it is unsuccessful, an alarm will sound and the laundry will need to be manually corrected and distributed around the bowl.

WASH PROGRAMS

Program	Description	Wash time (min)	Rinses	Spin time (min)	Default water level	Water temp	Total time (min)
Bulky	Suitable for heavily soiled fabrics or large loads, offering adjustable temperature setting and two rinse cycles to ensure a thorough wash with reduced detergent residue.	12	2	5	4	Hot Warm Cold (Default)	48
Delicate	Recommended for delicate or lightly soiled fabrics, this program offers a short wash time with a longer soak time and 2 rinse cycles.	4(wash) 13(soak)	2	1	4	Cold (Default)	45
Normal	For normally soiled loads this program thoroughly washes with a long soak, single rinse and adjustable temperature settings.	11(wash) 30(soak)	1	6	4	Hot Warm Cold (Default)	68
Quick	A quick wash for lightly soiled small loads	2	1	1	3	Cold (Default)	14
Easy Iron	This program will drain off excess water but not spin dry the laundry to prevent wrinkles	12	2	drain only	4	Cold (Default)	37
Spin Dry	This program will drain any excess water and spin the laundry for a long period to minimise drying time	–	–	60	–	–	60

Please note: the table above is intended as a reference guide only, individual results may vary. Total time includes filling and draining of water. The times mentioned are based on averages and can be effected by water pressure and drainage speed.

WASH GUIDE

Before you wash

Sorting

To get the best wash results it pays to sort your laundry before washing.

Read care labels as they will tell you how the fabric of each garments should be washed.

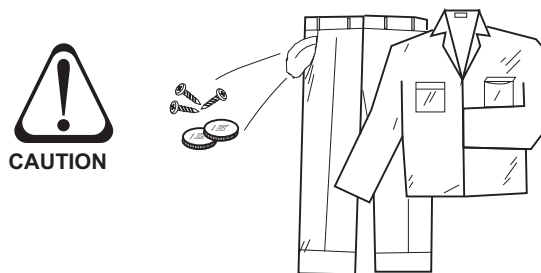
Sort clothes according to the type of and amount of soil. For example oily soils will require a higher temperature to lift the stain, whereas mud and blood stains are better washed in cold as heat can set the stain further into the fabric. Pretreating stains will also improve upon wash results.

Always sort whites from coloured fabrics, and be sure to wash lint givers (such as towels) separate to lint collectors (such as synthetics, socks and corduroy like fabric).

Loading

Before each wash be sure to check pockets and remove loose items that may cause damage to both your washer and your clothes. Close all zippers, hooks and eyes to prevent them catching on other garments.

Evenly distribute laundry around the bowl, and do not overload the clothes washer as this will affect its performance.



Detergent

We recommend the use of a domestic top loader powder or liquid. The amount of detergent to use will vary depending on the size of the load, the amount of soiling and the type of laundry to be washed. For example, jeans and heavily soiled work clothes will require more detergent, whereas towels will usually require less.

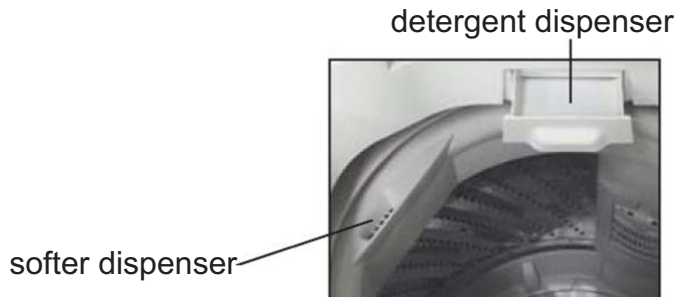
Follow the instructions on the back of the detergent to determine the correct dose for the laundry to be washed. Too much detergent does not contribute to better wash results as the rinse will not be as clean and efficient. This will unnecessarily add to environmental pollution and a build up on the inside of your washer. Too little detergent may also cause dirt and lint to settle back onto your clothes.

WASH GUIDE

Adding detergent

Add measured detergent to the detergent dispenser drawer. Detergent is flushed from the dispenser drawer at the beginning of the wash phase.

Fabric softener may be added to the softener dispenser and will automatically be added during the last rinse cycle. Do not add more than the recommended one time dose per cycle and be sure to reduce the amount used for smaller wash loads.



It is not recommended that liquid detergents or fabric softeners are used when selecting a long wash delay as they can congeal in the dispenser draws.

Do not add detergent, bleach or starch into the Softener Dispenser.

Washing

To select a wash program:

- a. Press the POWER button
- b. Select a wash program
Note: the **Bulky** program on COLD wash will be selected by default (see table on page 7 for details)
- c. Adjust the water level or temperature if required
- d. Press the START/PAUSE button

End of wash cycle

When the wash cycle is complete, the buzzer will sound 6 times and the power will automatically switch off.

For safety, it is recommended that at this point you turn off the water supply to the washer, turn off the power and remove the power plug from the main power source.

CLEANING & MAINTENANCE



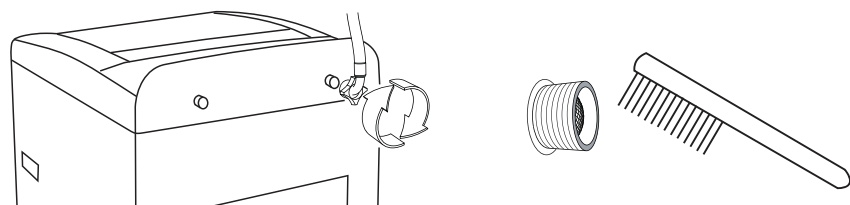
- Always disconnect the clothes washer from the mains power source before performing any maintenance or cleaning of the appliance.
- For optimal performance, regular maintenance and cleaning is highly recommended.
- Regular maintenance and cleaning will extend the service life of the clothes washer.

Cleaning the outer surface of the washer

To clean the cabinet and control panel, use a damp cloth and wipe dry.

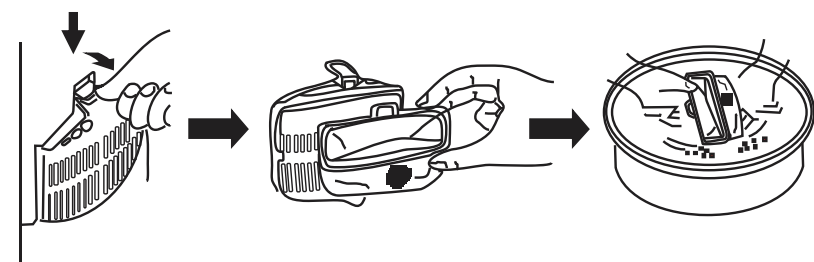
Note: Cleansers such as soap powder, abrasive cleaning power, alkali cleansers, chemical cloth, thinners, alcohol, acid petroleum products and hot water should not be used to clean the washer as they may damage the painted cover and plastics.

Cleaning the water inlet hose



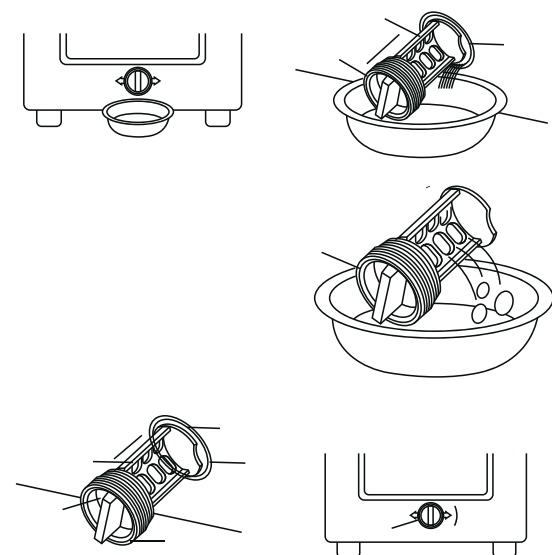
Clean the water inlet hose joint by unscrewing and removing the joint from the washer. Clean the screen filter gently by using a brush.

Cleaning the lint filter



Be sure to clean the lint filter often to keep the washer clean. Open the washer lid and remove the lint filter from inside the drum. Turn the filter over and gently clean using water. Allow to dry before replacing.

Cleaning the drain pump lint filter



1. Drain the water from the drain pump. Have a container in place to catch the drained water. Open by turning cover anti-clockwise.
2. Remove the lint filter and gently clean with water.
3. Let filter dry before replacing. Align convex with pump hole.
4. Replace the pump cover by tightening in a clockwise direction.

Please check the points below after maintenance:

- Is there any damage to the power lead?
- Can the power plug be inserted into the power socket correctly?
- Do the filters need cleaning?

TROUBLESHOOTING GUIDE

If the clothes washer does not perform as expected, malfunctions or an alarm is sounding, please check the following list of possible solutions.

If a solution can not be found or the problem persists, please contact Midea service (refer to page 14).

Do not, under any circumstance, dismantle the appliance yourself.

FAULT	POSSIBLE SOLUTION
No water is flowing in	<ul style="list-style-type: none"> • Check the power source is ON • Check if the circuit breaker has been triggered or fuse is not burnt out • Check the water supply is in the open position and the water pressure reaches the minimum required by the washer • Check the inlet hose has been installed correctly • Check the filter of the inlet valve is not blocked or obstructed • Check if the START / PAUSE button has been pressed
Not washing	<ul style="list-style-type: none"> • Check the power is on and the circuit breaker has not been tripped or the fuse burnt out • If the minimum water level is not reached • Check if delay start has been set
Not draining	<ul style="list-style-type: none"> • Check the drain hose is not too high • Check the drain hose is not obstructed • Check the drain pump is not obstructed
Abnormal or not spinning	<ul style="list-style-type: none"> • Check the lid is completely closed • Check that the laundry inside the drum has not accumulated to one side • Check the laundry is evenly distributed • Check that the laundry does not exceed the rated capacity • Check the clothes washer is level

The following table is a list of the fault indicators and corresponding alarms.

DISPLAY	CAUSE	SOLUTION	
E1	Occurs when filling drum with water takes more than 16 minutes	Check the water taps are in the open position	Note: To stop the alarm, open the lid. Close the lid once the issue has been remedied and resume the wash program. If problems persist, Midea contact customer care when convenient.
E2	Alarm is triggered when the lid is opened after delay start, spin cycle or in child lock mode	Close the lid. Restart delay time if necessary.	
E3	Triggered when unbalanced	Check the laundry is evenly distributed around the drum	
E4	Occurs when draining takes too long	Check the drain hose is not kinked, obstructed or placed incorrectly.	
E5	Overflow detection alarm	Turn off the water at the mains tap and remove some laundry items.	

REPAIRS, SERVICE & WARRANTY

It is hazardous for anyone installing, removing, repairing servicing or testing this appliance. Only an Authorised Service Person can carry out servicing or repairs to this appliance.

If service is required

If you have a problem which persists after you have made the checks listed in the Troubleshooting Guide, please contact:

Midea Customer Care on 1300 132 371

Please refer to the enclosed warranty card or visit www.mideaappliances.com.au for warranty information. Ensure you have the appliance model number and proof of purchase handy before calling Midea Customer Care to enquire about a warranty claim.

Complete and retain the following information for your records:

Model No.	
Serial No.	
Date of purchase	
Retailer	

Please retain proof of purchase for warranty claims.

SPECIFICATIONS

Model	MTWM80	
Rated Motor Input Power	560W	
Rated Capacity of wash and spinning	8Kg	
Voltage	240V	
Frequency	50Hz	
Washing Type	Pulsator	
Water Pressure	0.1MPa - 0.6MPa	
Max. Spin Speed	700RPM	
Dimensions	Height	1015mm
	Width	601mm
	Depth	625mm
Net Weight	45Kg	
IP rating	IPX4	

NOTE: This product is subject to continuous improvement, specifications are subject to change without prior notice.

This product was tested in accordance with AS/NZS 2040.2 and AS/NZS 6400 using program: Normal, Water Level 5, Water Temperature Warm, which is the program recommended for a normally soiled cotton load at rated capacity.

