



Front Load Washer 5kg

USER MANUAL

MFWS512




CONTENTS

Safety information	2-3
Identifying parts of the Washer	4
Installation	5-7
Control Features and Functions	8
Wash Programs	9
Wash Guide	10-12
Cleaning & Maintenance	13-14
Troubleshooting Guide	15-16
Repairs, Service & Warranty	17
Specifications	18

SAFETY INFORMATION

Congratulations on your new Midea washer. This manual contains important information on the installation, use and care of your appliance. Please read this manual carefully before use. Follow instructions and keep the manual for future reference.


WARNING The WARNING symbol indicates information that concerns your personal safety


CAUTION The CAUTION symbol indicates information on avoiding damage to the appliance

Before using your appliance

Before using your washing machine, we recommend you read through this manual which provides a description of your appliance and its functions. To avoid risk to yourself or others, it is important that the washing machine is installed correctly and that you read the safety instructions carefully.


Do not remove the attached adhesive identification label containing model number, serial number and other information as this label will be used by the Midea authorized service representative in the event that your washing machine needs servicing.

Information on disposal

Most of the packing material used is recyclable. Please separate the plastic and cardboard and dispose through your local recycling depot or place in appropriate recycling collection bins.

If disposing of this appliance, please contact your local authority for safe disposal. Incorrect disposal may cause injury to the user.


WARNING Keep packaging materials away from children to eliminate risk of suffocation.

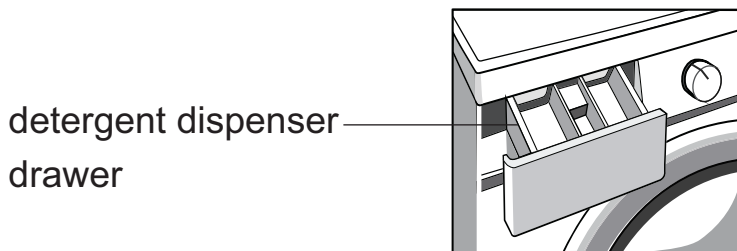
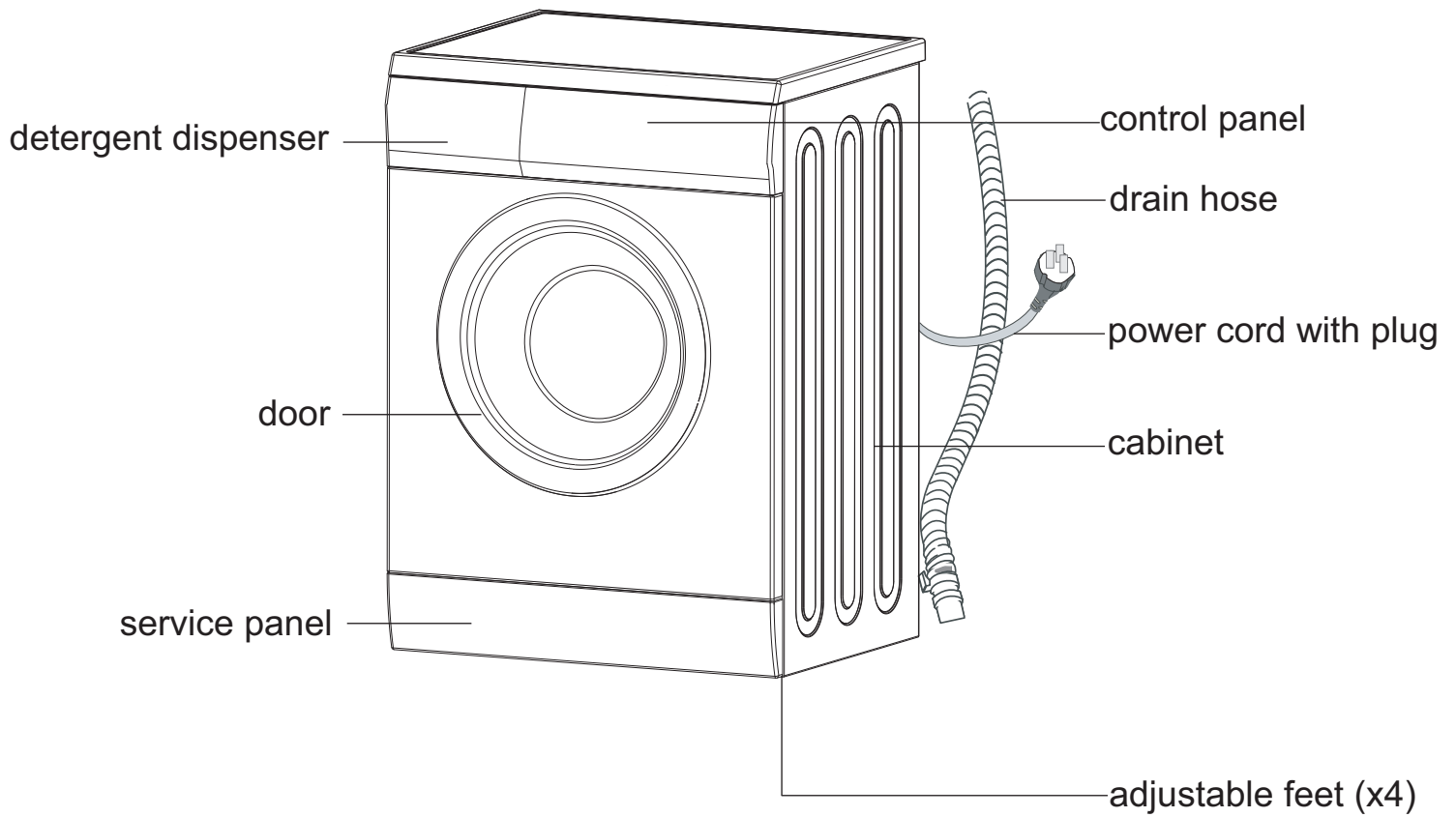

WARNING This appliance is not intended for use by persons (including children with reduced physical, sensory or mental capabilities, or lack of experience and knowledge, unless they have been given supervision or instruction concerning use of the appliance by a person responsible for their safety.

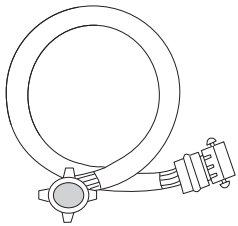
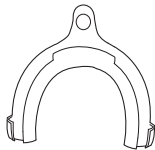
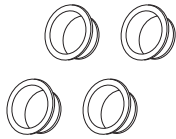
SAFETY INFORMATION

Safety precautions

- Young children should be supervised to ensure that they do not play with the appliance.
- Keep ventilation openings in the appliance enclosure or in the built in structure clear of obstruction.
- Choose a location that is indoors, completely dry and away from damp environments.
- The washer is designed to operate on a single phase power supply within a voltage range of 220~240V/50Hz.
- Please keep the appliance away from substances which could cause ignition.
- Do not store inflammable materials such as ether, benzene, LP gas and glue etc near the appliance.
- Do not splash water on the rear of the appliance, for it may cause malfunction or electric shock.
- Before cleaning the appliance, always switch off and unplug it.
- Do not disassemble any part of the clothes washer.
- Do not insert your hand and remove items from the washer until it has come to a complete stop.
- Do not splash, wet or hose down the appliance. It is recommended to use a damp cloth when cleaning the cabinet.
- Do not attempt to wash fabrics that contain latex or rubber material.
- Do not place items that have come in contact with any flammable materials such as petrol/gasoline, kerosene, cleaning solvents, vegetable oil, cooking oil or any explosive substances.
- Do not place heat sources (candle, heater, etc.) on top of or near the washer.
- Do not sit children or heavy object on top of the washer.
- Do not pull the power cord out of the power socket by the cord. Always unplug the washer holding the plug.
- If the supply cord is damaged, it must be replaced by the manufacturer, its service agent or similarly qualified persons in order to avoid hazard.

IDENTIFYING PARTS OF THE WASHER



Accessories		
		
cold water inlet hose	drain hose support	transit bolt caps (x4)

INSTALLATION

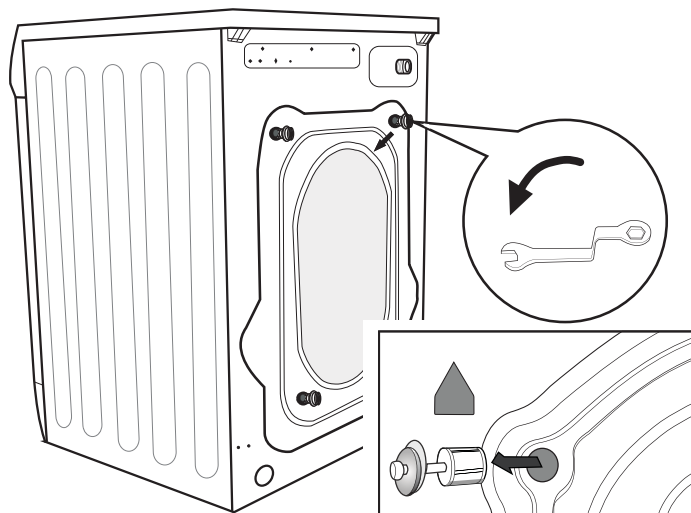
Unpack the clothes washer

1. Remove the clothes washer from the carton. Please dispose of packaging and plastic bags responsibly.
2. Open the washer door and remove the accessories from inside the washer (as listed on page 4).

Remove transit bolts

Before installing & using this washing machine, the transit bolts must be removed from the backside.

1. Loosen all 4 bolts with a spanner to remove them.
2. Plug the holes with transit hole caps provided.
3. Keep the transit bolts for future use to protect the drum during transportation.



All transit bolts & packaging must be removed before using the appliance.

CAUTION

Select the location

The clothes washer should be located on a firm and flat surface. An uneven surface may cause excess operating noise or vibration and effect the performance of the washer.

- The noise may be increased if the floor is not firm.
- It is not recommended to place on carpeted flooring. If this can not be avoided, place a solid sheet under the appliance.
- Choose a location which is indoors, dry & away from high temperature and high humidity.
- Ensure room temperature is not below 0°C.
- Make sure that air circulation around the machine is not impeded by carpets, rugs etc.
- Check that the machine does not touch the wall or cupboard.

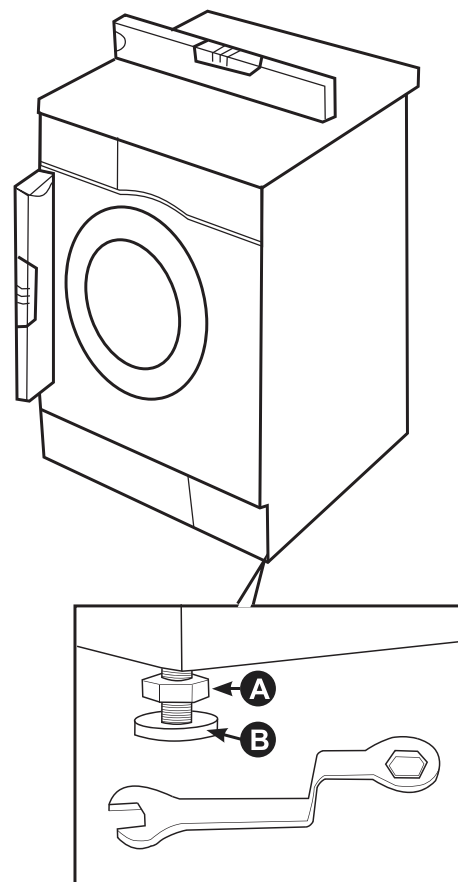
INSTALLATION

Level the washer

For optimal washing performance, reduced noise and to minimise vibration, it is important to ensure the washer is completely flat and level before use. Use a spirit level to check both horizontal and vertical stability.

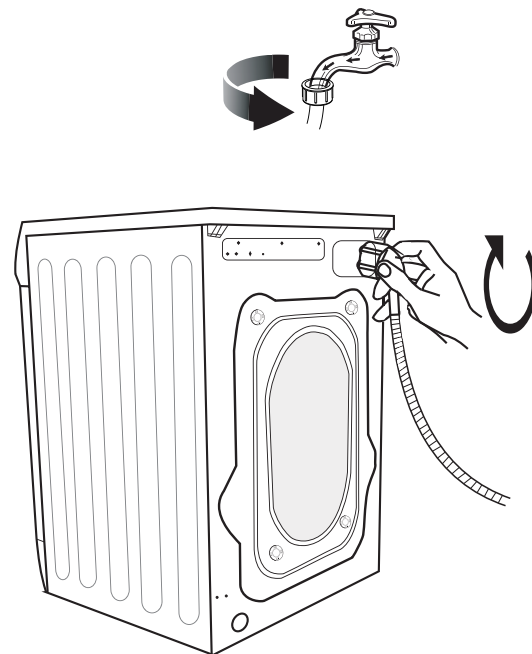
To adjust the feet:

1. Loosen the lock nut(A).
2. Adjust each foot(B). Turn left to raise or right to lower as necessary. Once levelled, try to rock it from corner to corner. If the washer rocks, continue to adjust the feet until it is levelled and no longer rocks.
3. Once all four feet have been adjusted and the washer is completely level, tighten the lock nut(A).



Install the water inlet hose

1. Fasten one end of the inlet hose to the tap. Ensure there is a rubber washer inside the hose before fastening. The washer prevents water leakage.
2. Securely tighten the other end of the inlet hose to the clothes washer inlet valve. Ensure the rubber washer is inside the hose before tightening.
3. When tightening the clamping nut, apply even pressure. Do not apply too much force or twist the valve as this may damage or break the valve joint.



Be sure to install the inlet hose to COLD water only. Incorrect installation can reduce performance or damage the clothes washer.

INSTALLATION

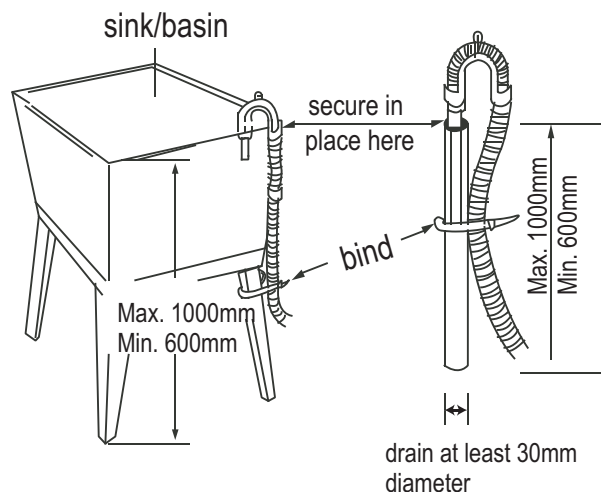
Position drain hose

When placing the drain hose, ensure it is above 600mm and below 1000mm. Otherwise, the washer may not drain correctly and an error will occur.

Ensure the drain hose is placed in a drain with a diameter of at least 30mm to meet minimum drainage flow requirements.

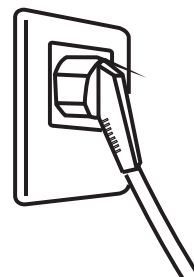
Secure the drain hose in place to avoid leaking and spilling as the water drains.

Do not immerse the drain hose in water.



Connect to a power source

Ensure the clothes washer is securely plugged into the mains power supply and it is switched to the ON position.

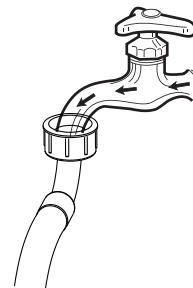


WARNING

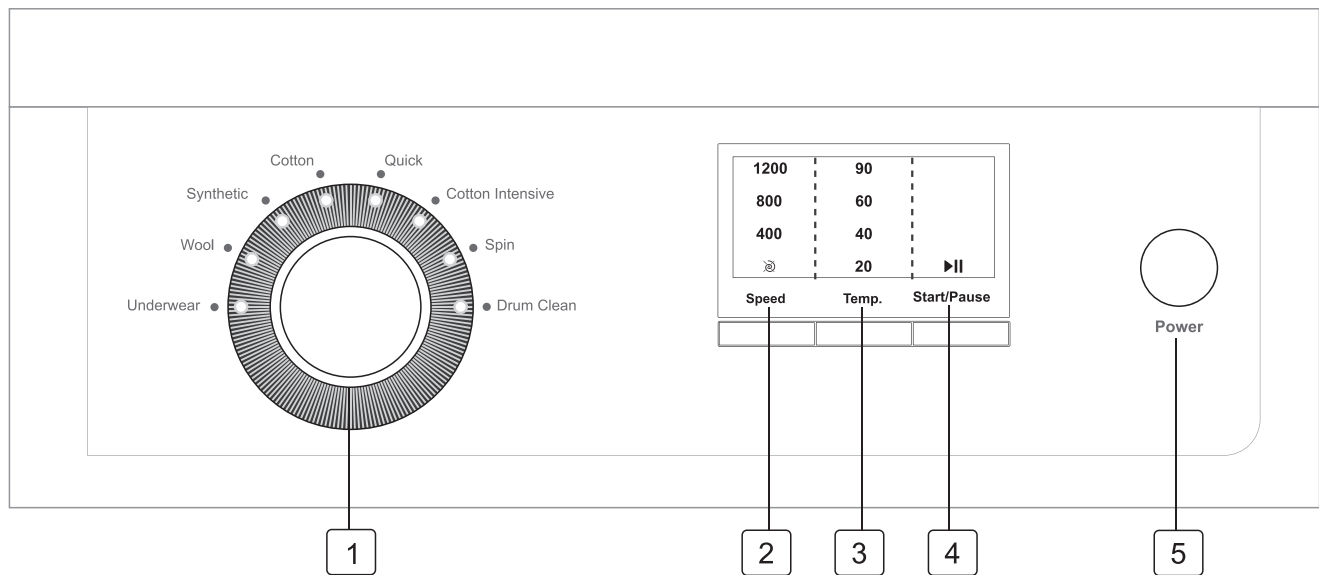
Ensure your hands are completely dry before touching the mains outlet, any electrical plugs or cables.

Open the main water supply

Ensure the water mains are in the open position and a steady water supply is available to the clothes washer.



CONTROL FEATURES AND FUNCTIONS



1	Program Selector Dial	Turn this dial to select a wash program, the machine will automatically select the spin speed and temperature for the selected program. The selector dial can be turned either clockwise or anticlockwise.
2	Spin Speed Button	Press this button repeatedly to increase or decrease the spin speed if you want your laundry spun at a different speed from the machines default setting on the selected program.
3	Temperature Button	Press this button repeatedly to increase or decrease the water temperature if you want your laundry washed at a different temperature to the machines default setting of the selected program. Note: When the light is off, the water temperature will be COLD.
4	Start/Pause Button	Press this button to start the selected wash program. Once a wash has begun, press this button to pause the program. Press again to resume.
5	Power Button	Press this button to switch the washer on and off. Press once to switch on, when finished a wash program, press to switch off.

Foam Detection

Excess soap suds will occur when too much detergent has been added. The Foam Detection function will automatically sense this and increase the rinse to eliminate excess suds.

Buzzer Sound

The buzzer sounds once a program has completed. To disable the buzzer function, power on the washer, press the "Temp" button for 3 seconds, you will hear a beep, the buzzer will now be disabled. Repeat this process to restore the buzzer function.

WASH PROGRAMS

Program	Description	Max. load (Kg)	Detergent dispenser*			Temp.	Default Spin Speed (RPM)	Total time
			Case I	Case II	Case Softener			
Cotton	For moderately soiled everyday cottons, bedsheets and towels.	5.0	X	●	○	90°C 60°C (default) 40°C 20°C cold	1200	2:10
Synthetic	Normally soiled synthetic and polycotton fibres. This is a shorter and gentler wash to the cotton cycle and suitable for delicate clothes washing. The detergent quantity may need reducing due to the nature of the fabrics.	2.5	X	●	○	60°C 40°C (default) 20°C cold	800	1:45
Wool	For woollen articles and silk fabrics labelled as machine washable. This program may also be used for handwash articles. Use detergent specific to woollens and delicates.	1.5	X	●	○	40°C (default) 20°C cold	400	1:25
Underwear	Specifically designed for underwear with a stronger rinse setting and extra wash cycle.	5.0	X	●	○	90°C 60°C 40°C (default) 20°C cold	1200	1:48
Drum Clean	Use this program for drum cleaning. With a high temperature wash at 90° it cleans the drum of detergent residue, dirt and bacteria. Do not add any detergent or clothes to the washer when using this program. It is recommended you perform a drum clean after every 40 washes.	-	X	X	X	90°C (default)	400	1:30
Spin	This separate spin program will drain any excess water and spin only.	5.0	X	X	X	-	1200	0:15
Cotton Intensive	Similar to the cotton wash, this program offers an additional wash and rinse cycle to ensure no detergent residue remains on the laundry. Suitable for baby clothes and those with skin allergies.	5.0	X	●	○	90°C 60°C 40°C (default) 20°C cold	1200	2:20
Quick	A quick wash for small loads of lightly soiled articles.	1.5	X	●	○	40°C 20°C cold (default)	1200	0:15

● must ○ optional ✕ not available

Please note: the table above is intended as a reference guide only, individual results may vary. Total time includes filling and draining of water. The times mentioned are based on averages and can be effected by water pressure and drainage speed.

(* See diagram page 11)

WASH GUIDE

First wash

Before washing clothes for the first time, the washing machine should operate one full cycle without clothes as follows:

1. Connect power source and water supply.
2. Put a little detergent into dispenser.
3. Press the “Power” button.
4. Press the “Start / Pause” button.

Before you wash

Sorting

To get the best wash results it pays to sort your laundry before washing.

Read care labels as they will tell you how the fabric of each garments should be washed.

Sort clothes according to the type of and amount of soil. For example oily soils will require a higher temperature to lift the stain, whereas mud and blood stains are better washed in cold as heat can set the stain further into the fabric. Pretreating stains will also improve upon wash results.

Always sort whites from coloured fabrics, and be sure to wash lint givers (such as towels) separate to lint collectors (such as synthetics, socks and corduroy like fabric).

Baby articles (baby clothes, nappies and towels) should be washed separately. If washed together with clothes, they may become infected. Use the cotton Intensive program to ensure thorough rinsing and cleaning without detergent residue.

Loading

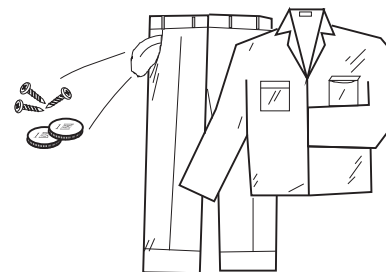
Do not overload the machine, otherwise it may affect the washing. Please confirm the maximum wash load according to the table on page 9.

Before each wash be sure to check pockets and remove loose items that may cause damage to both your washer and your clothes. Close all zippers, hooks and eyes to prevent them catching on other garments.



CAUTION

It is advised that bras are placed in a wash bag to prevent the steel wire from popping out into the drum and damaging the machine.



WASH GUIDE

Avoid washing water proof fabrics (such as nappy covers, raincoats, ski suits, sleeping bags, etc.) that water can not penetrate easily. This may cause abnormal vibrations while rinsing and draining causing damage to the clothing and washing machine.

Detergent

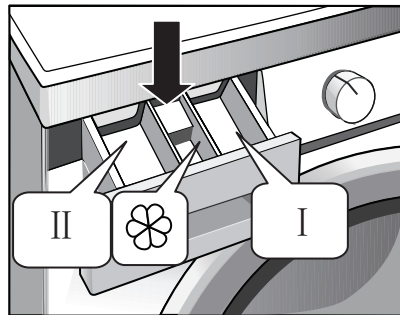
We recommend the use of a domestic low sud front loader powder or liquid. The amount of detergent to use will vary depending on the size of the load, the amount of soiling and the type of laundry to be washed. For example, jeans and heavily soiled work clothes will require more detergent, whereas towels will require less. The detergent quantity should also be reduced when washing knitted articles as their loose construction can promote an excess of bubbles.

Follow the instructions on the back of the detergent to determine the correct dose for the laundry to be washed. Too much detergent does not contribute to better wash results as the rinse will not be as clean and efficient, it may also cause an excess of suds to flow into the dispenser compartment. This will unnecessarily add to environmental pollution and a build up on the inside of your washer. Too little detergent may also cause dirt and lint to settle back onto your clothes.



Keep detergents and additives in a safe and dry place out of reach of children.

Adding detergent



I - Detergent for prewash (not available on this model)

II - Main wash detergent

 - Rinse additive compartment (softener, bleach, etc.)

Note: When using liquid detergent

- Do not use gelatinous or thick liquid detergents.
- Do not put more liquid than the maximum level.

WASH GUIDE

Selecting a wash program

The wash program should be selected based on the type of fabric, quantity of laundry, and level of soiling, in combination with the following wash temperature table:

90°C	Heavily soiled pure white cotton linen (eg: table cloths, towels, bed sheets)
60°C	Moderately soiled linen, cotton and synthetic articles with a certain degree of decolorisation (eg: shirts, pajamas, underwear).
40°C, 20°C COLD	Normally soiled articles (including synthetics and wool)

1. Turn the dial to select the corresponding program according to the wash load.
2. Select the required temperature according to the degree of soiling. Generally, the higher the temperature is, the more the power is consumed.
3. Select the required spin speed. The higher the spin speed is, the drier the textiles are spun, however more wrinkles will appear in the fabric. To protect clothes, a lower spin speed should be selected for delicate fabrics.

CLEANING & MAINTENANCE

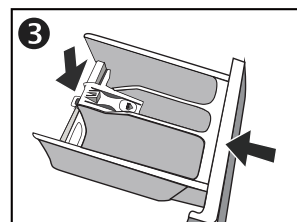
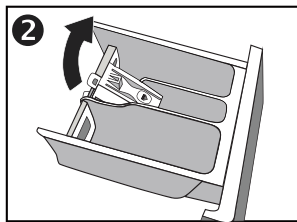
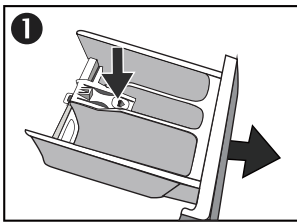
After each wash, open the door and dry any water remaining in the drum. Wipe the rubber seal dry and remove any detergent residue and dirt.

Cleaning the outer surface of the washer

To clean the cabinet and control panel, use a damp cloth and wipe dry.

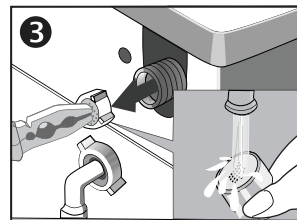
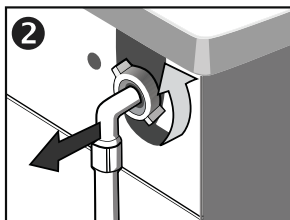
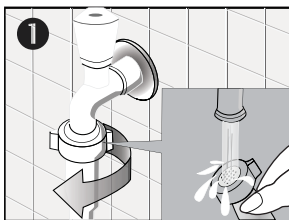
Note: Abrasive cleaning powders, alkali cleansers, chemical cloths, thinners, alcohol, acid petroleum products and hot water should not be used to clean the washer as they may damage the painted cover and plastics.

Cleaning the detergent dispenser drawer



1. Gently pull out the drawer and unclip. The clip is at the back of the middle (rinse additive) compartment.
2. Using a damp cloth, wipe each compartment.
3. Allow to dry and replace the drawer.

Cleaning the inlet filter



1. Ensure the mains tap is turned to the OFF position.
2. Unscrew the inlet hose from the tap and washer.
3. Remove and clean the filter.
4. Replace the filter and inlet hose onto the tap and rear of washer.

CLEANING & MAINTENANCE

Cleaning the drain pump lint filter

1. Prepare a dish or bucket to catch any excess water remaining in the drain pump. Place under drain pump before continuing.
2. Open the service panel and unscrew the drain pump cover. Drain any water into the dish or bucket. Mop up any spillage with a rag.
3. Remove any debris and obstructions from the drain pump filter.
4. Replace and tighten the drain pump cover before closing the service panel.



Please check the points below after maintenance:

- Is there any damage to the power lead?
- Can the power plug be inserted into the power socket correctly?
- Is the power plug and /or lead heating up?



Always disconnect the clothes washer from the mains power source before performing any maintenance or cleaning of the appliance.

For optimal performance, regular maintenance and cleaning is highly recommended.

Regular maintenance and cleaning will extend the service life of the clothes washer.

TROUBLESHOOTING GUIDE

If the clothes washer does not perform as expected, malfunctions, or an alarm is sounding, please check the following list of possible solutions.

If a solution can not be found or the problem persists, please contact Midea service (refer to page 17). Do not, under any circumstance, dismantle the appliance yourself.

Troubles	Reason	Solution
Washing machine will not start up		<ul style="list-style-type: none"> • Check if the door is closed tightly. • Check if power plug is inserted correctly. • Check if water supply tap is opened. • Check if button “Start/Pause” is pressed. • Check if button “Power” is pressed.
Door will not open	<ul style="list-style-type: none"> • This is the machine’s safety protection. 	<ul style="list-style-type: none"> • Disconnect the power, wait a few minutes, door will then open.
Heating fault	<ul style="list-style-type: none"> • Heating element damaged. 	<ul style="list-style-type: none"> • Can only wash without heat. • Contact the service centre promptly.
Water leakage	<ul style="list-style-type: none"> • The connection between inlet pipe or outlet hose and tap or washing machine is not tight. • Drain pipe is blocked. 	<ul style="list-style-type: none"> • Check and fasten water pipes. • Clean up outlet hose. • Arrange a service person to repair if necessary.
Water overflowing from bottom of machine	<ul style="list-style-type: none"> • The inlet hose is not connected firmly. • Drain hose has a leakage. 	<ul style="list-style-type: none"> • Fix the inlet hose in place securely. • Replace the drain hose.
Indicator or display does not light	<ul style="list-style-type: none"> • Power is disconnected. • PC board has problems. • Harness has connection problem. 	<ul style="list-style-type: none"> • Check if the power is shut down and power plug is connected correctly. If not, please contact customer care.
Detergent residue in the dispenser drawer	<ul style="list-style-type: none"> • Washing powder is dampened and agglomerated. 	<ul style="list-style-type: none"> • Clean and wipe the drawer. • Use liquid detergents or detergents especially for front load washers.
Poor washing effects	<ul style="list-style-type: none"> • The clothes are heavily soiled. • Insufficient detergent quantity. 	<ul style="list-style-type: none"> • Select appropriate wash program. • Add the proper detergent quantity according to instructions on the detergent package.
Abnormal noises and vibrations		<ul style="list-style-type: none"> • Check if the transit bolts have been removed. • Check if installed on solid and level floor. • Check if the feet of the washing machine are leveled correctly. • Check for hair clips or metal articles inside the drum.

TROUBLESHOOTING GUIDE

The following table is a list of the fault indicators and corresponding alarms.

Status of Corresponding indicators				Description	Cause	Possible Solution
Temp 90°C	Temp 60°C	Temp 40°C	Temp 20°C			
○	○	○	●	Door Lock	<ul style="list-style-type: none"> Door is not closed properly. 	<ul style="list-style-type: none"> Restart after the door is closed.
					Please call Midea Customer Care if problem persists.	
○	○	●	○	Water filling issue. Filling time exceeds 7 minutes.	<ul style="list-style-type: none"> Tap is not open or water flow is too slow. Inlet valve filter is blocked. Inlet pipe is twisted. Water is not supplied. 	<ul style="list-style-type: none"> Open the tap or wait until the water supply becomes normal. Check inlet valve filter. Straighten the water pipe. Check the other taps in the house.
					Please call Midea Customer Care if problem persists.	
○	○	●	●	Drainage issue. Draining time exceeds 3 minutes.	<ul style="list-style-type: none"> Outlet hose is blocked or twisted. Drain pump is blocked. 	<ul style="list-style-type: none"> Wash and straighten outlet hose. Clean drain pump filter.
					Please call Midea Customer Care if problem persists.	

For all other issues and error codes, please contact Midea Customer Care (refer to page 17).

● Indicator is FLASHING

○ Indicator is OFF

REPAIRS, SERVICE & WARRANTY

It is hazardous for anyone installing, removing, repairing servicing or testing this appliance. Only an Authorised Service Person can carry out servicing or repairs to this appliance.

If service is required

If you have a problem which persists after you have made the checks listed in the Troubleshooting Guide, please contact:

Midea Customer Care on 1300 132 371

Please refer to the enclosed warranty card or visit www.mideaappliances.com.au for warranty information. Ensure you have the appliance model number and proof of purchase handy before calling Midea Customer Care to enquire about a warranty claim.

Complete and retain the following information for your records:

Model No.	
Serial No.	
Date of purchase	
Retailer	

Please retain proof of purchase for warranty claims.

SPECIFICATIONS

Model	MFWS512	
Rated Power	2100W	
Rated Capacity of wash and spinning	5.0Kg	
Voltage	220~240V	
Frequency	50Hz	
Standard Water Pressure	0.05MPa - 1MPa	
Max. Spin Speed	1200RPM	
Dimensions	Height	850mm
	Width	595mm
	Depth	470mm
Net Weight	50Kg	
IP rating	IPX4	

NOTE: This product is subject to continuous improvement, specifications are subject to change without prior notice.

This product was tested in accordance with AS/NZS 2040.2 and AS/NZS 6400 using program: Cotton Intensive 60°C, 1200rpm, which is the program recommended for a normally soiled cotton load at rated capacity.

