



DEEBOTTM 600

Instruction Manual

說明書

说明手册

Manual Arahan

คู่มือแนะนำการใช้งาน

دليل التعليمات

EN	Instruction Manual	2
ZH-TW	說明書	24
ZH	说明手册	45
MS	Manual Arahan	66
TH	คู่มือแนะนำการใช้งาน	90
AR	دليل التعليمات	112

Congratulations on the purchase of your ECOVACS ROBOTICS DEEBOT! We hope it brings you many years of satisfaction. We trust the purchase of your new robot will help keep your home clean and provide you more quality time to do other things.

Live Smart. Enjoy Life.

Should you encounter situations that have not been properly addressed in this Instruction Manual, please contact our Customer Service Center where a technician can address your specific problem or question.

For more information, please visit the ECOVACS ROBOTICS official website: www.ecovacs.com

The Company reserves the right to make technological and/or design changes to this product for continuous improvement.

Thank you for choosing DEEBOT!

Contents

1. Important Safety Instructions.....	4
2. Package Contents	9
3. Operating and Programming.....	12
4. Maintenance.....	17
5. Indicator Light and Alarm Sounds.....	21
6. Troubleshooting	22
7. Technical Specifications.....	24

1. Important Safety Instructions

When using an electrical appliance, basic precautions should always be followed, including the following:

READ ALL INSTRUCTIONS BEFORE USING THIS APPLIANCE.

SAVE THESE INSTRUCTIONS

1. This Appliance can be used by children aged from 8 years and above and persons with reduced physical, sensory or mental capabilities or lack of experience and knowledge if they have been given supervision or instruction concerning use of the Appliance in a safe way and understand the hazards involved. Children shall not play with the Appliance. Cleaning and user maintenance shall not be made by children without supervision.
2. Clear the area to be cleaned. Remove power cords and small objects from the floor that could entangle the Appliance. Tuck rug fringe under the rug base, and lift items such as curtains and tablecloths off the floor.
3. If there is a drop off in the cleaning area due to a step or stairs, you should operate the Appliance to ensure that it can detect the step without falling over the edge. It may become necessary to place a physical barrier at the edge to keep the unit from falling. Make sure the physical barrier is not a trip hazard.
4. Only use as described in this manual. Only use attachments recommended or sold by the manufacturer.
5. Please make sure your power supply voltage matches the power voltage marked on the Charging Dock.
6. For INDOOR household use ONLY. Do not use the Appliance in outdoor, commercial or industrial environments.
7. Non-rechargeable batteries are prohibited. For battery information, please refer to Specifications section.
8. Do not use without dust bin and/or filters in place.

1. Important Safety Instructions

9. Do not operate the Appliance in an area where there are lit candles or fragile objects.
10. Do not use in extremely hot or cold environments (below $-5^{\circ}\text{C}/23^{\circ}\text{F}$ or above $40^{\circ}\text{C}/104^{\circ}\text{F}$).
11. Keep hair, loose clothing, fingers, and all parts of body away from any openings and moving parts.
12. Do not operate the Appliance in a room where an infant or child is sleeping.
13. Do not use Appliance on wet surfaces or surfaces with standing water.
14. Do not allow the Appliance to pick up large objects like stones, large pieces of paper or any item that may clog the Appliance.
15. Do not use Appliance to pick up flammable or combustible materials such as gasoline, printer or copier toner, or use in areas where they may be present.
16. Do not use Appliance to pick up anything that is burning or smoking, such as cigarettes, matches, hot ashes, or anything that could cause a fire.
17. Do not put objects into the suction intake. Do not use if the suction intake is blocked. Keep the intake clear of dust, lint, hair, or anything that may reduce air flow.
18. Take care not to damage the power cord. Do not pull on or carry the Appliance or Charging Dock by the power cord, use the power cord as a handle, close a door on the power cord, or pull power cord around sharp edges or corners. Do not run Appliance over the power cord. Keep power cord away from hot surfaces.
19. If the power cord is damaged, it must be replaced by the manufacturer or its service agent in order to avoid a hazard.
20. Do not use the Charging Dock if it is damaged.
21. Do not use with a damaged power cord or receptacle. Do not use the Appliance or Charging Dock if it is not working properly, has been dropped, damaged, left outdoors,

1. Important Safety Instructions

or come in contact with water. It must be repaired by the manufacturer or its service agent in order to avoid a hazard.

22. Turn OFF the power switch before cleaning or maintaining the Appliance.
23. The plug must be removed from the receptacle before cleaning or maintaining the Charging Dock.
24. Remove the Appliance from the Charging Dock, and turn OFF the power switch to the Appliance before removing the battery for disposal of the Appliance.
25. The battery must be removed and discarded according to local laws and regulations before disposal of the Appliance.
26. Please dispose of used batteries according to local laws and regulations.
27. Do not incinerate the Appliance even if it is severely damaged. The batteries can explode in a fire.
28. When not using the Charging Dock for a long period of time, please unplug it.

29. The Appliance must be used in accordance with the directions in this Instruction Manual. ECOVACS ROBOTICS cannot be held liable or responsible for any damages or injuries caused by improper use.

30. The robot contains batteries that are only replaceable by skilled persons. To replace or remove the battery, please contact Customer Service.

31. If the robot will not be used for a long time, fully charge the robot and power OFF for storage and unplug the Charging Dock.

32. WARNING: For the purposes of recharging the battery, only use the detachable supply unit YJS015F-1900600B (HK)/YJS015F-1900600T (TW)/YJS015F-1900600A (AU)/YJS015F-1900600TH (TH)/DK18-190060H-B (MY/SG) provided with this appliance.

33. The Remote Control pre-installs two non-rechargeable AAA batteries. To replace the battery of the Remote Control, please turn

1. Important Safety Instructions

over the Remote Control, press and remove its Battery Cover. Remove the batteries, and insert the new batteries with the correct polarity. Reassemble the Battery Cover.

34. Non-rechargeable batteries are not to be recharged.
35. Different types of batteries or new and used batteries are not to be mixed.
36. Batteries of the Remote Control are to be inserted with the correct polarity.
37. Exhausted batteries are to be removed from the Appliance and safely disposed of.
38. If the Remote Control is to be stored unused for a long period, the batteries should be removed.
39. The supply terminals are not to be short-circuited.

For EU Countries



Correct Disposal of this Product

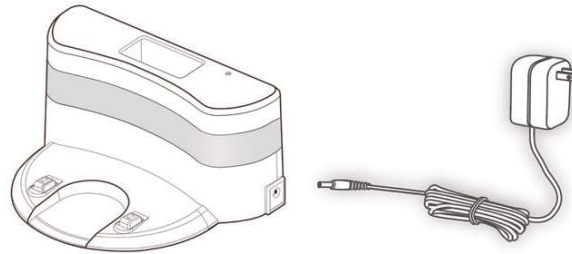
This marking indicates that this product should not be disposed of with other household waste throughout the EU. To prevent possible harm to the environment or human health from uncontrolled waste disposal, recycle it responsibly to promote the sustainable reuse of material resources. To recycle your used device, please use the return and collection systems or contact the retailer where the product was purchased. They can safely recycle this product.

2. Package Contents

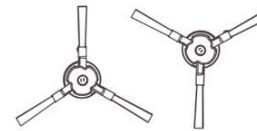
2.1 Package Contents



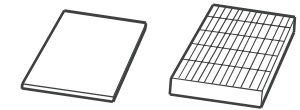
Robot



Charging Dock + Power Adapter



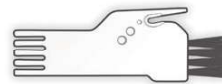
(4) Side Brushes



Sponge Filter and High Efficiency Filter



Remote Control with Batteries



Multi-Function Cleaning Tool



Instruction Manual



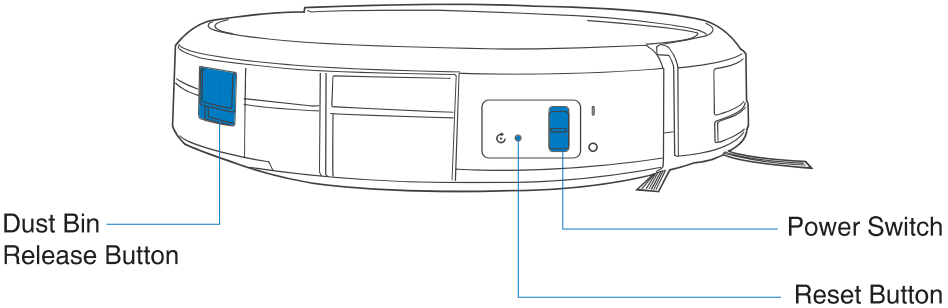
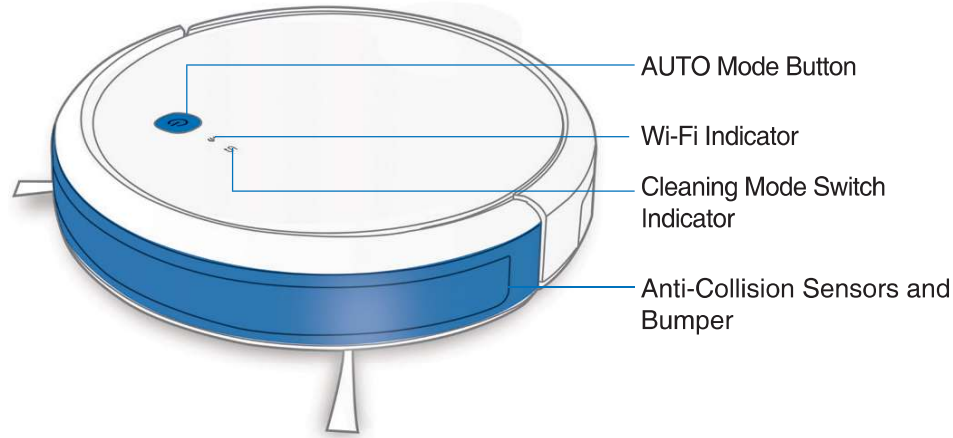
Quick Start Guide

Note: Figures and illustrations are for reference only and may differ from actual product appearance. Product design and specifications are subject to changes without notice.

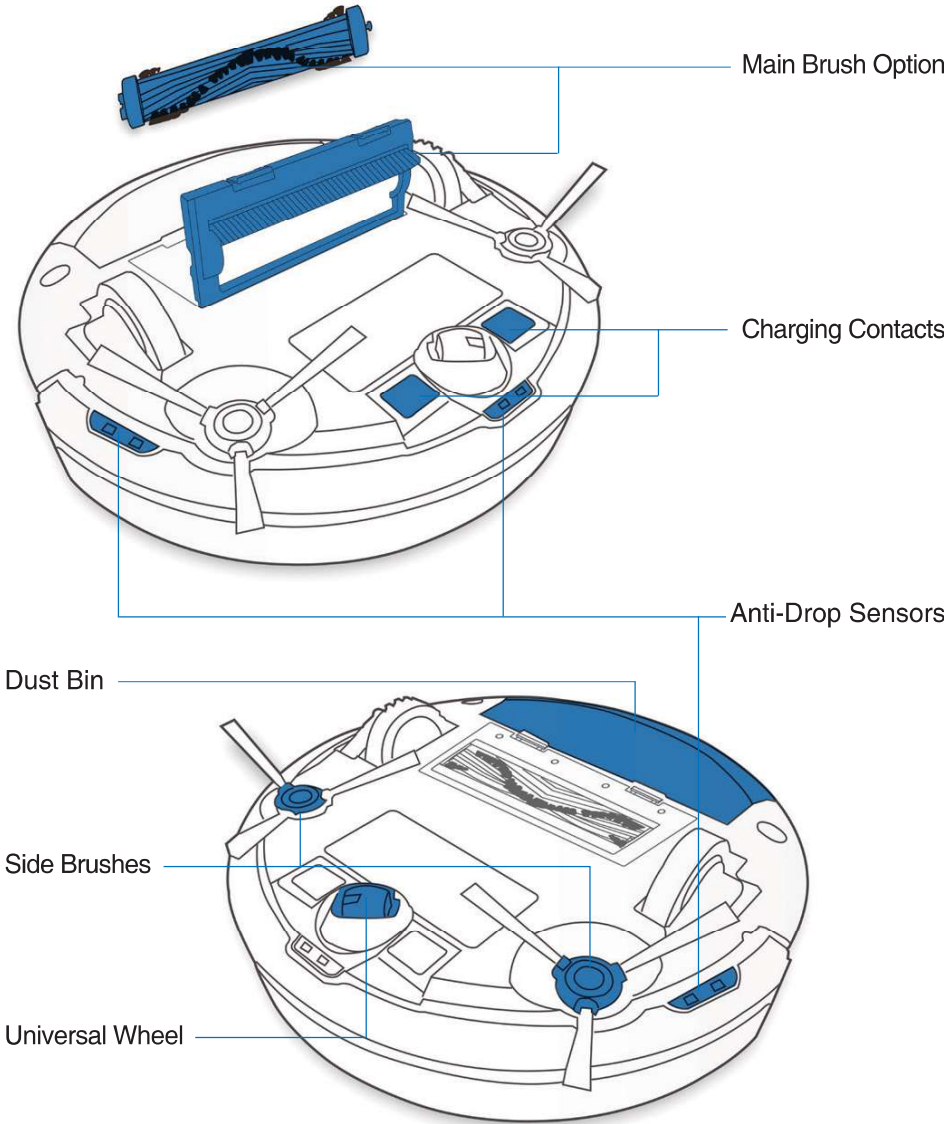
2. Package Contents

2.3 Product Diagram

Robot

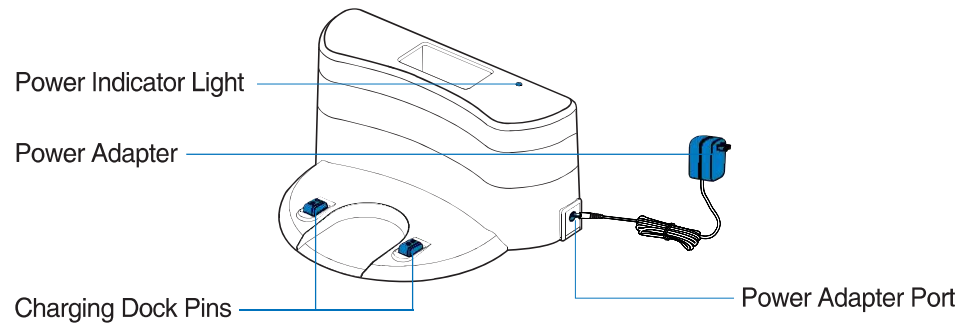


Bottom View

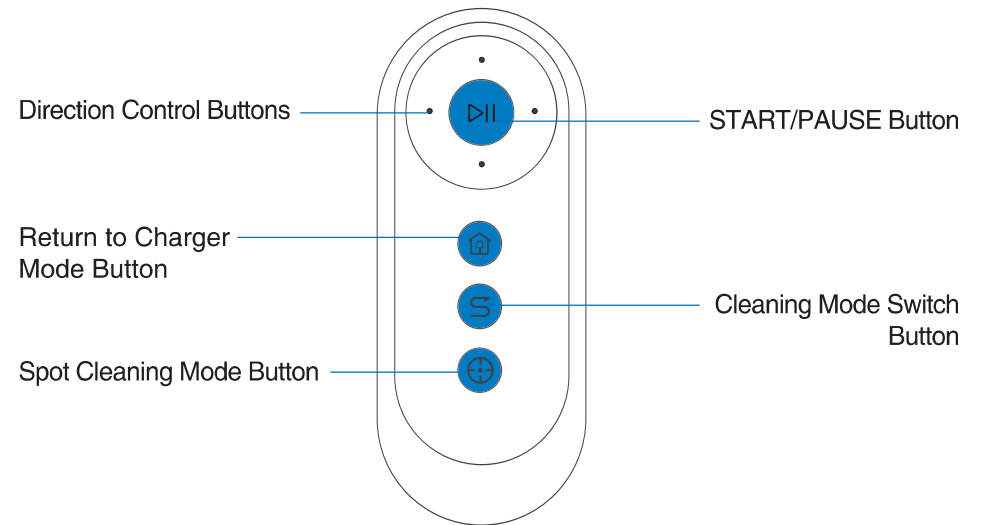


2. Package Contents

Charging Dock



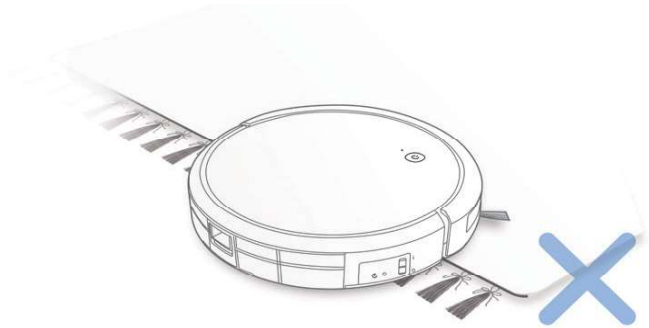
Remote Control



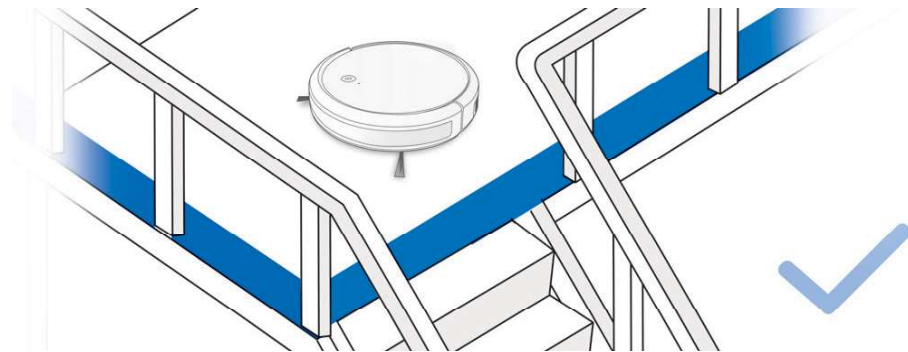
3. Operating and Programming

3.1 Notes Before Cleaning

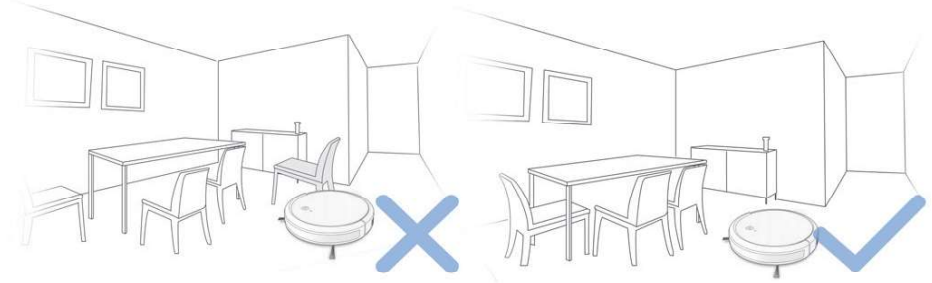
WARNING: Do not use DEEBOT on wet surfaces or surfaces with standing water.



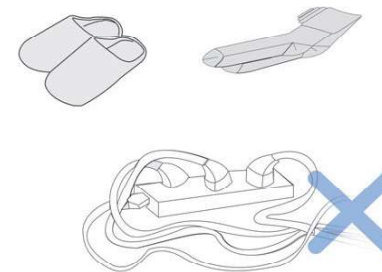
Before using the product on a rug with tasseled edges, please fold the rug edges under.



It may be necessary to place a physical barrier at the edge of a drop to stop the unit from falling over the edge.



Tidy up the area to be cleaned by putting furniture, such as chairs, in their proper place.

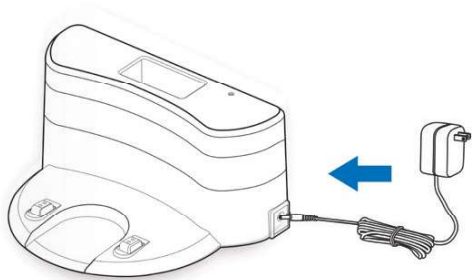


Remove power cords and small objects from the floor that the robot could be obstructed by.

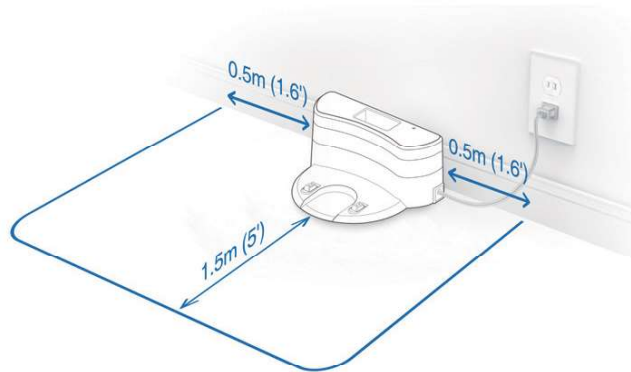
3. Operating and Programming

3.2 Preparation

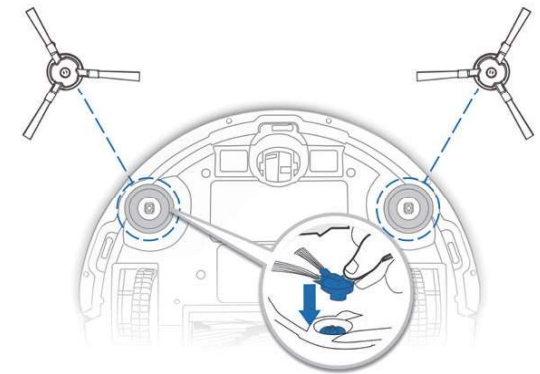
1 Plug in Adapter



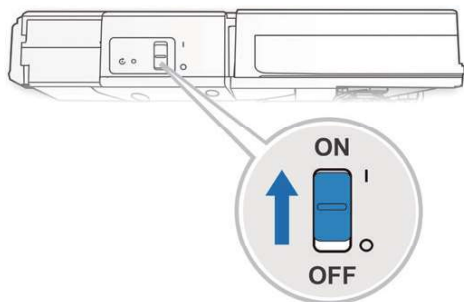
2 Charging Dock Placement



3 Install Side Brushes



4 Power ON



5 Charge DEEBOT



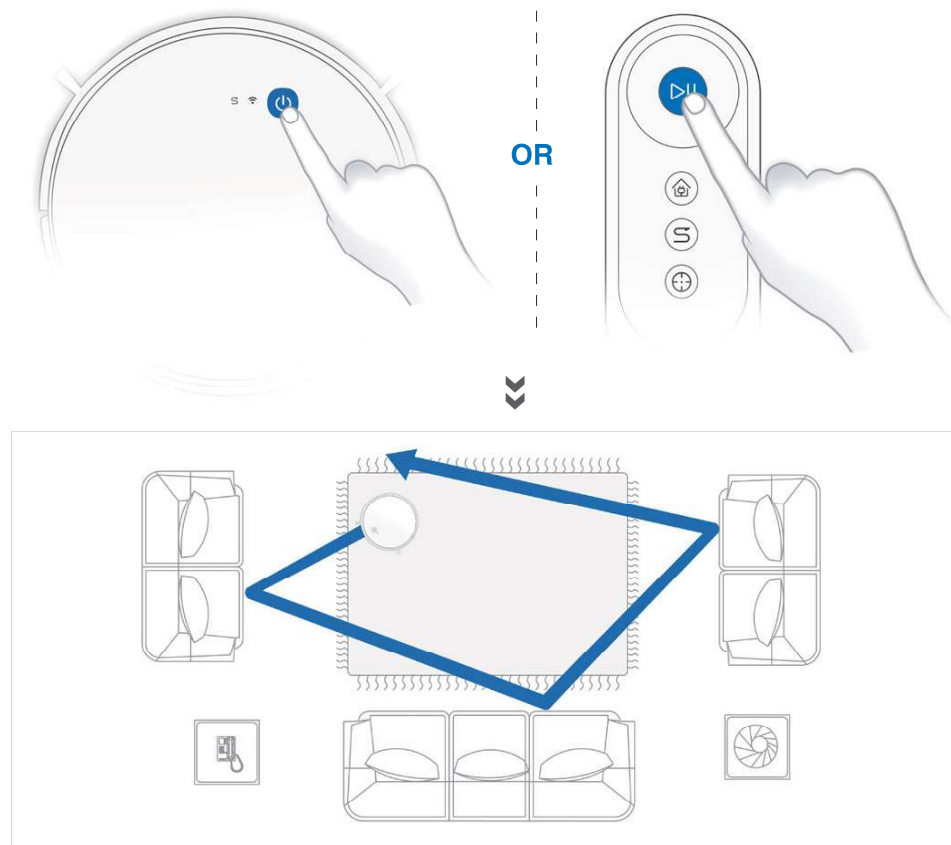
Note: When DEEBOT completes the cleaning cycle or when battery power gets low, DEEBOT automatically returns to the Charging Dock to recharge itself.

3. Operating and Programming

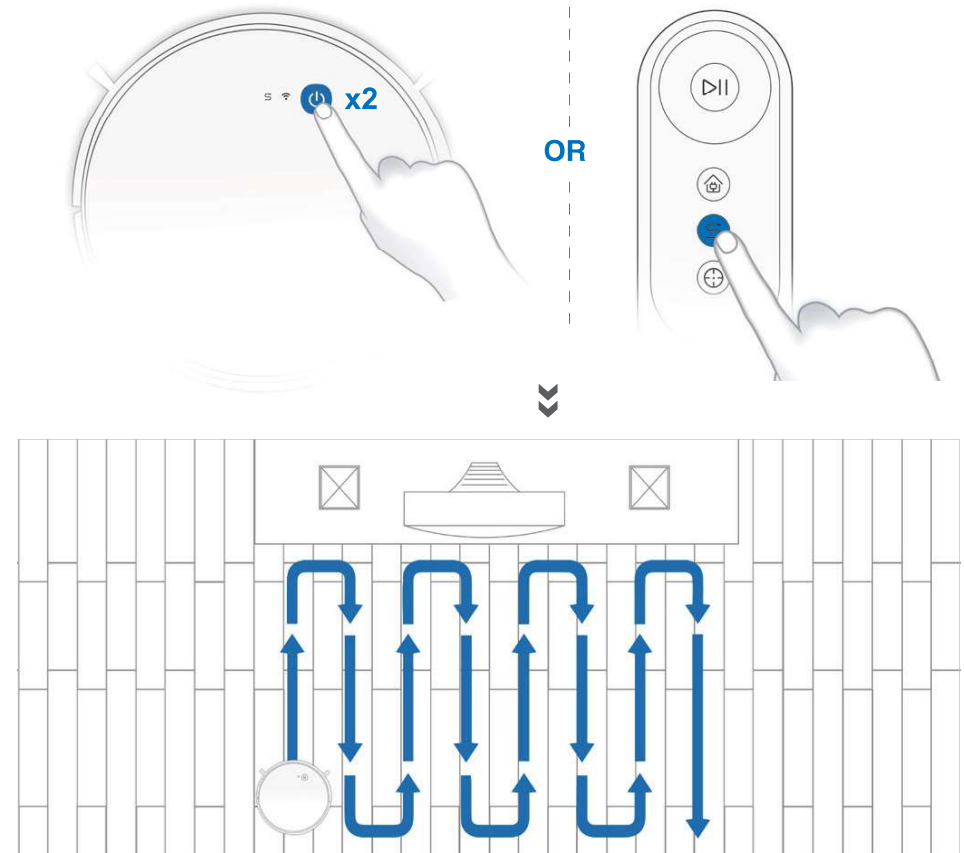
3.3 Selecting Cleaning Mode

1 AUTO Cleaning Mode

A **Random Cleaning Pattern** (optimized for carpets) will be selected by default.



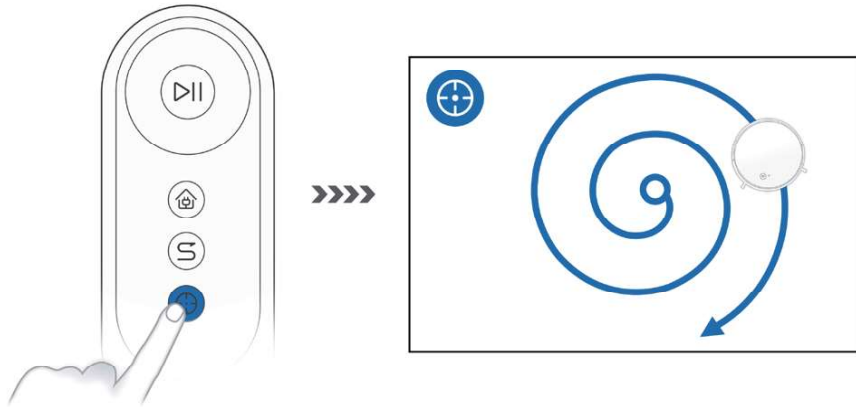
To switch to a **Programmed Cleaning Pattern** (optimized for hard floors) or switch between these two patterns, perform the following action:



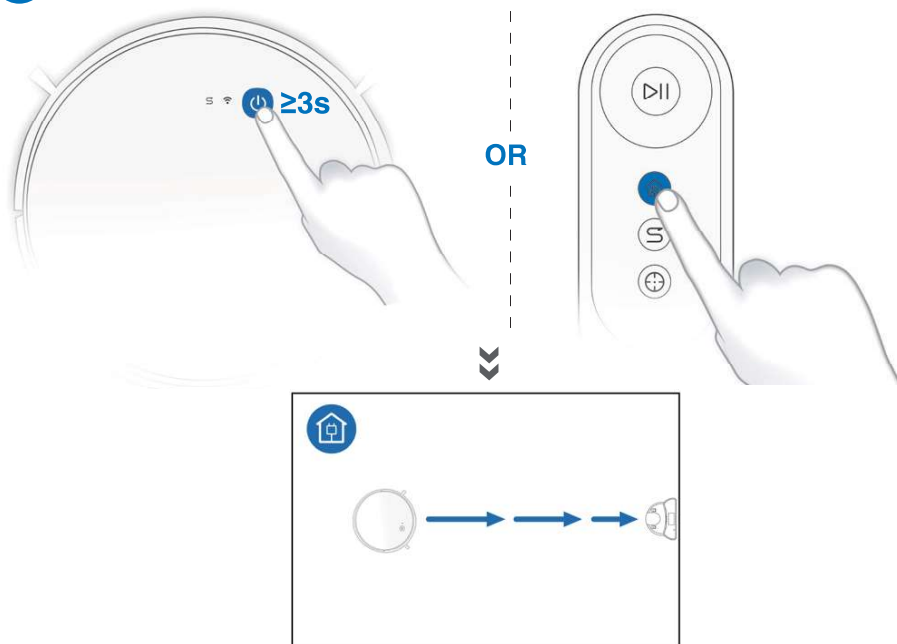
Note: Cleaning pattern cannot be switched until DEEBOT is paused or charging. DEEBOT will start a new cleaning cycle once cleaning pattern is switched. **S** will light up once Programmed Cleaning Pattern is enabled.

3. Operating and Programming

2 Spot Cleaning Mode (Less than 3 minutes)



3 Return to Charging Dock



All the functions mentioned above can be enabled on the App. Download ECOVACS App to access more features, including Edge Cleaning, Scheduled Cleaning, etc.



Q ECOVACS HOME

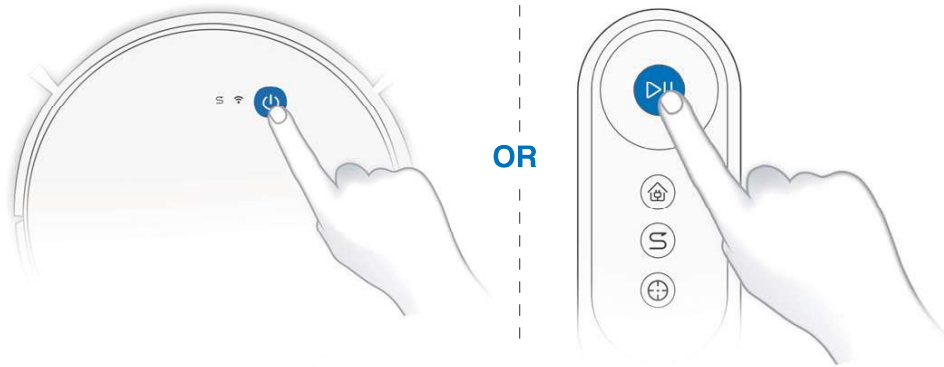


✓ iOS 9.0 or later ✓ Android 4.0 or later

3. Operating and Programming

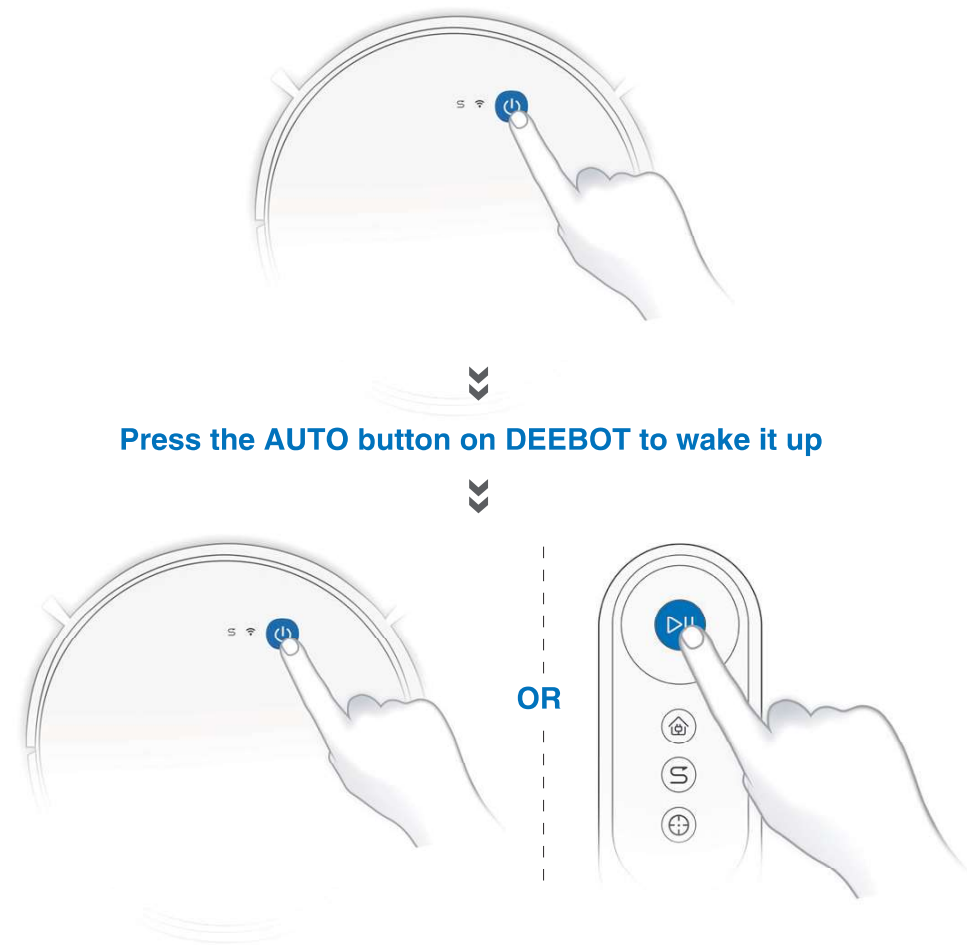
3.4 Pause, Wake Up, Power Off

1 Pause



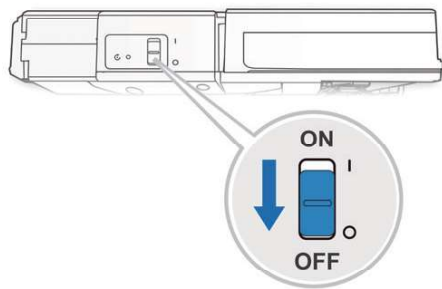
Note: The robot's Control Panel stops glowing after the robot is paused for a few minutes. Press the AUTO Mode Button on DEEBOT to wake up the robot.

2 Wake Up



Press the AUTO button on DEEBOT to wake it up

3 Power OFF



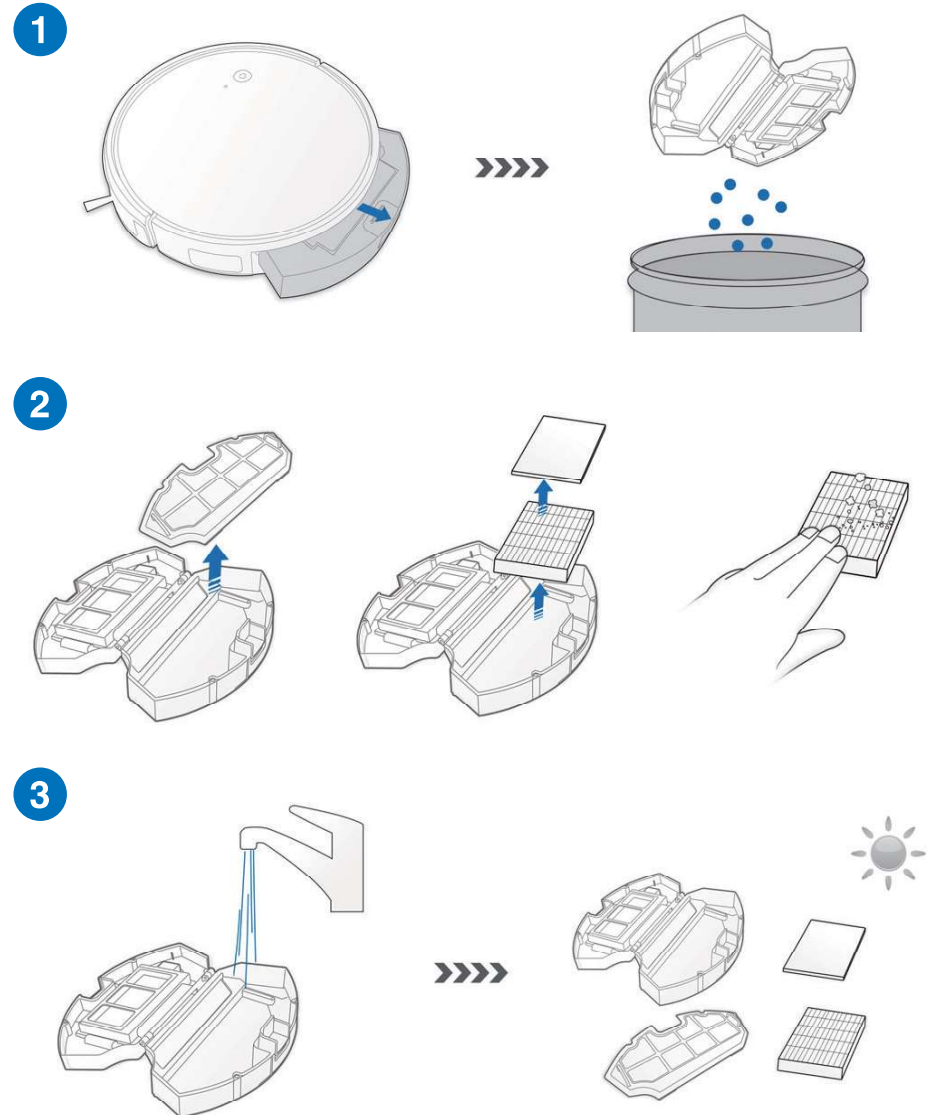
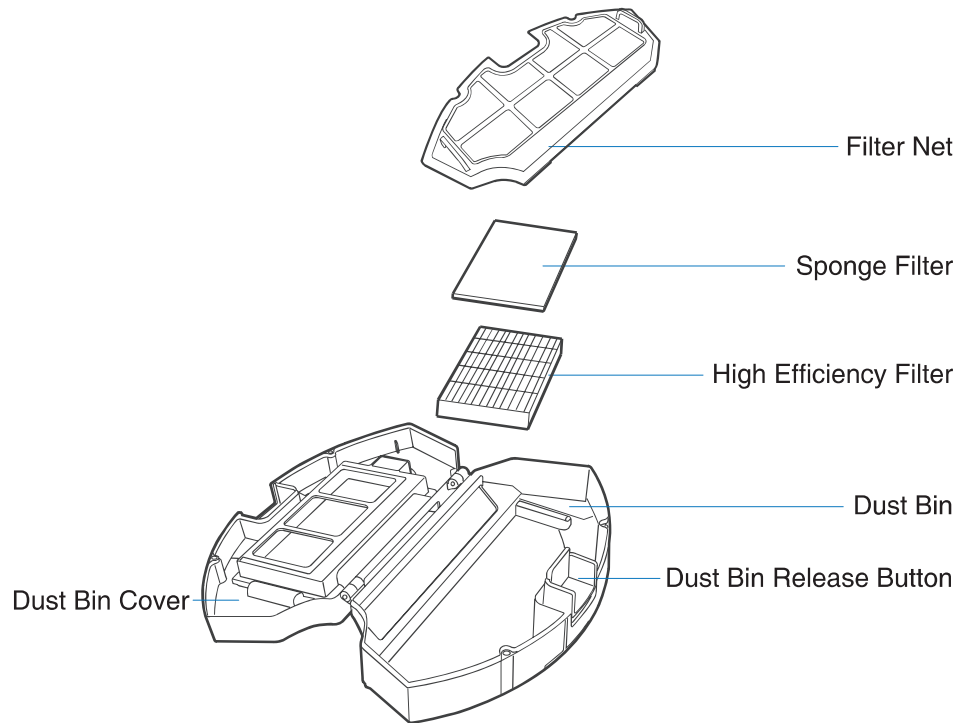
Note: When DEEBOT is not working, it is recommended to keep it switched ON and charging.

4. Maintenance

Before performing cleaning and maintenance tasks on DEEBOT, turn the robot OFF and unplug the Charging Dock.

4.1 Dust Bin and Filters

Dust Bin

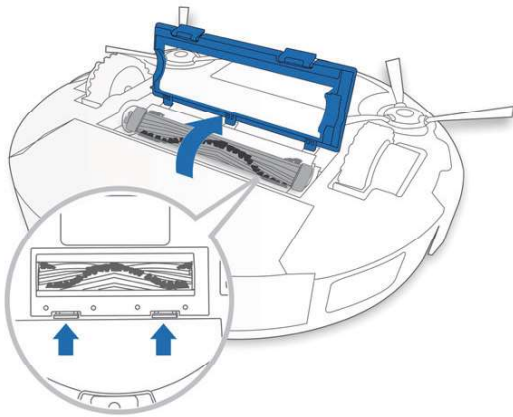


4.2 Main Brush and Side Brushes

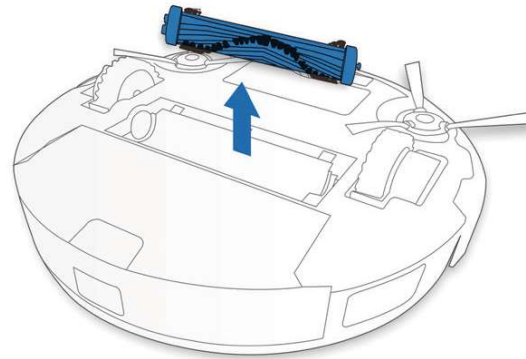
Note: A Multi-Function Cleaning Tool is provided for easy maintenance. Handle with care, this cleaning tool has sharp edges.

Main Brush

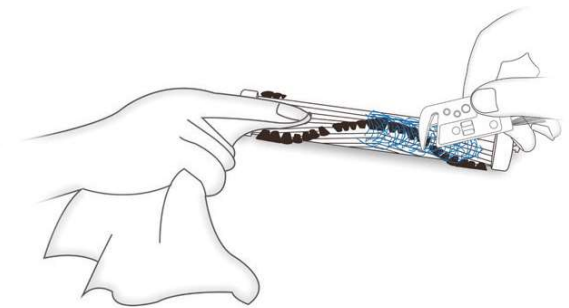
1



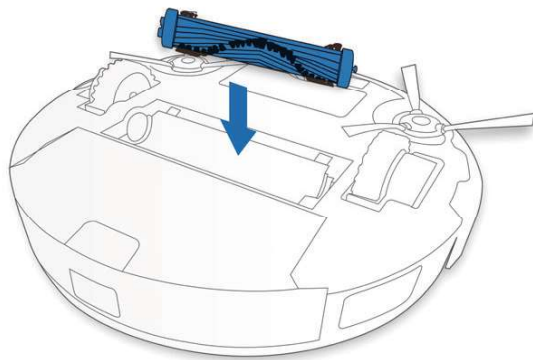
2



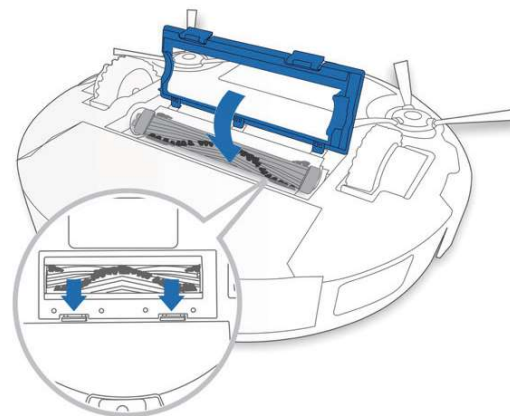
3



4



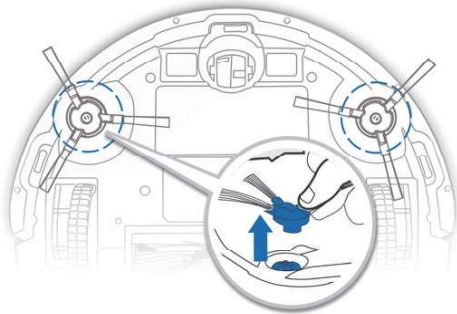
5



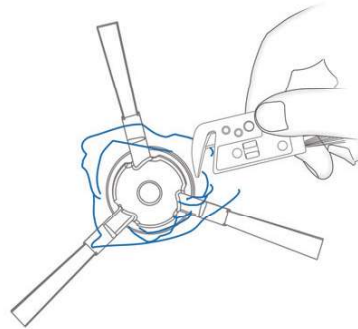
4. Maintenance

Side Brushes

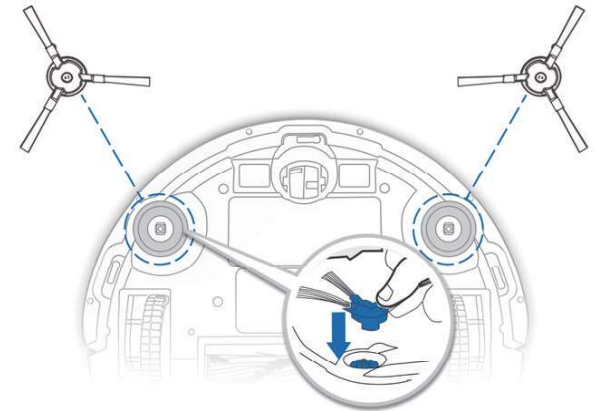
1



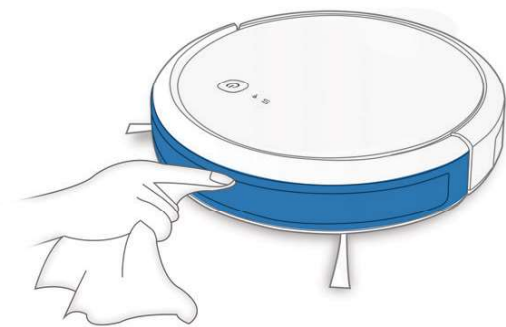
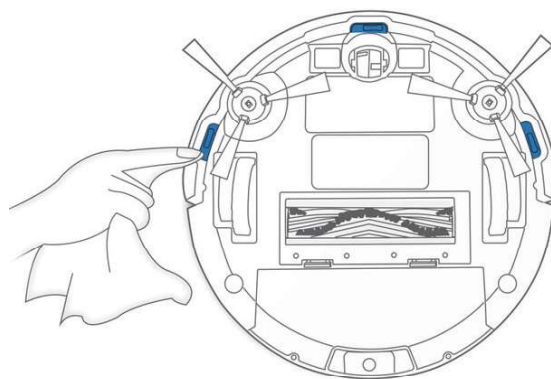
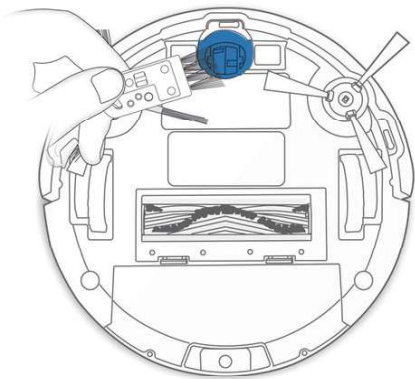
2



3

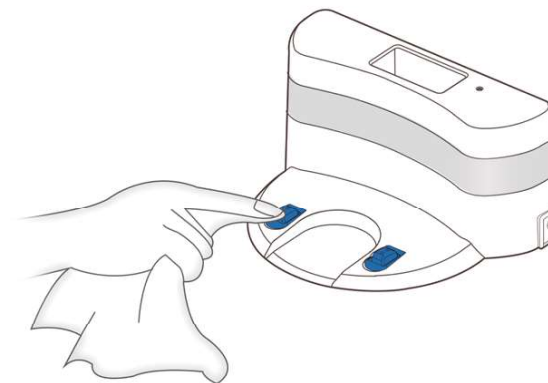
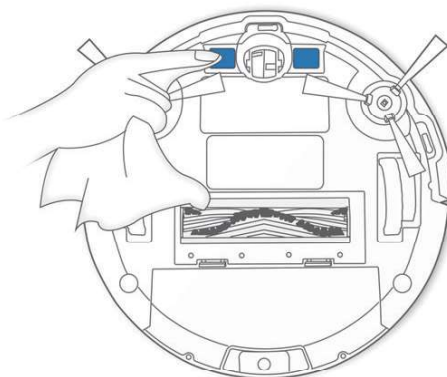


4.3 Other Components



4. Maintenance

Note: Before cleaning the robot's Charging Contacts and Charging Dock Pins, turn the robot OFF and unplug the Charging Dock.



4.4 Regular Maintenance

To keep DEEBOT running at peak performance, perform maintenance tasks and replace parts with the following frequencies:

Robot Part	Maintenance Frequency	Replacement Frequency
Side Brush	Once every 2 weeks	Every 3-6 months
Main Brush	Once per week	Every 6-12 months
Sponge Filter/ High Efficiency Filter	Once per week	Every 3-6 months
Universal Wheel Anti-Drop Sensors Bumper Charging Contacts Charging Dock Pins	Once per week	/

A Multi-Function Cleaning Tool is provided for easy maintenance. Handle with care, this cleaning tool has sharp edges.

Note: ECOVACS manufactures various replacement parts and fittings. Please contact Customer Service for more information on replacement parts.

5. Indicator Light and Alarm Sounds

DEEBOT will tell you something is wrong with an alarm indicator light and sounds. More detailed support is available through the ECOVACS App and online website.

Indicator Light

Scenario	Indicator Light
The robot is cleaning	AUTO Mode Button glows a solid WHITE
The robot is charging	AUTO Mode Button flashes WHITE
The robot has low battery	AUTO Mode Button glows a solid RED
The robot has a problem	AUTO Mode Button flashes RED
Programmed Cleaning Pattern is enabled	Cleaning Mode Switch Indicator lights up

Alarm Sounds

Alarm Sound	Problems	Solution
One Beep	Main Brush or Side Brush is tangled.	Clean Main Brush or Side Brush as mentioned in Section 4 Maintenance.
Two Beeps	Anti-Drop Sensor Malfunction	Use a cleaning cloth to wipe the Anti-Drop Sensor clean.
Three Beeps	Dust Bin is not properly installed.	Make sure the Dust Bin has been installed; if it has, take it out and put it back in properly.
Continuous Beeps	The Robot is suspended or the Driving Wheels are tangled.	Put the Robot back on the ground or gently pat the bumper and clean the Driving Wheel as mentioned in Section 4 Maintenance.

6. Troubleshooting

No.	Malfunction	Possible Causes	Solutions
1	DEEBOT is not charging.	DEEBOT is not switched ON.	Switch ON DEEBOT.
		DEEBOT has not connected to the Charging Dock.	Be sure that the robot's Charging Contacts have connected to the Charging Dock Pins.
		The battery is completely discharged.	Re-activate the battery. Switch ON DEEBOT. Place DEEBOT on the Charging Dock by hand, remove after charging for 3 minutes, repeat 3 times; then charge normally.
2	DEEBOT cannot return to the Charging Dock.	The Charging Dock is not correctly placed.	Refer to section 3.2 to correctly place the Charging Dock.
3	DEEBOT gets stuck while working and stops.	DEEBOT is tangled with something on the floor (electrical wires, curtains, carpet fringing, etc.).	DEEBOT will try various ways to free itself. If it is unsuccessful, manually remove the obstacles and restart.
4	DEEBOT returns to the Charging Dock before it has finished cleaning.	When the battery gets low, DEEBOT automatically switches to Return to Charger Mode and returns to the Charging Dock to recharge itself.	This is normal. No solution necessary.
		Working time varies according to floor surface, room complexity and the Cleaning Mode selected.	This is normal. No solution necessary.

6. Troubleshooting

No.	Malfunction	Possible Causes	Solutions
5	DEEBOT does not clean automatically at the scheduled time.	Time Scheduling function is cancelled.	Program DEEBOT to clean at specific times using the ECOVACS App.
		The Continued Cleaning function is turned ON and DEEBOT has just finished cleaning the scheduled cleaning area.	This is normal. No solution necessary.
		DEEBOT is switched OFF.	Switch ON DEEBOT.
		The robot's battery is low.	Keep DEEBOT switched ON and connected to the Charging Dock to make sure it has a full battery to work at any time.
		The robot's Suction Intake is blocked and/or there is debris stuck in its components.	Power OFF DEEBOT, clean the Dust Bin and invert the robot. Clean the robot's Suction Intake, Side Brushes and the Main Brush as described in Section 4.
6	DEEBOT does not clean the whole area.	The cleaning area is not tidy.	Remove small objects from the floor and tidy up the cleaning area before DEEBOT starts cleaning.
7	DEEBOT is not able to connect to the home Wi-Fi network.	Incorrect home Wi-Fi username or password entered.	Enter the correct home Wi-Fi username and password.
		DEEBOT is not within range of your home Wi-Fi signal.	Make sure DEEBOT is within range of your home Wi-Fi signal.
		Network setup started before DEEBOT was ready.	Turn ON Power Switch. Press the RESET Button for 3 seconds. DEEBOT is ready for network setup when it plays a musical tune and its Wi-Fi Indicator light flashes slowly.
		Your smartphone's operating system needs to be updated.	Update your smartphone's operating system. The ECOVACS App runs on iOS 9.0 and above, Android 4.0 and above.

7. Technical Specifications

Model	DO3G		
Working voltage	14.4V DC	Rated power	25W
Charging Dock			
Rated Input Voltage	19V DC	Rated output current	0.6A
Power Adapter Model	YJS015F-1900600B (HK) YJS015F-1900600T (TW) YJS015F-1900600A (AU) YJS015F-1900600TH (TH) DK18-190060H-B (MY/SG)		
Rated Input Voltage	100-240V AC	Rated Input Current	0.5A
Rated output Voltage	19V DC	Rated output current	0.6A
Remote Control Model	RC1633A	Input Voltage	3V DC
Battery	Lithium 2600mAh		

Note: Technical and design specifications may be changed for continuous product improvement.

感謝您選購 ECOVACS ROBOTICS，我們希望它將為您帶來更舒適生活，ECOVACS 已為全球數百萬家庭服務，我們相信這款全新智慧吸塵機器人將幫助您保持室內清潔，讓您擁有更多高品質的時間，盡享優質智能生活。

Live Smart. Enjoy Life.

為發揮 ECOVACS ROBOTICS 的最佳性能，請花一些時間閱讀並熟悉本說明書。若遇到說明書無法解決的問題，請聯繫我們的售後服務中心，將有專業人員為您解答問題。

若需查詢使用影片或者說明書，請至官網：www.ecovacs.com

台灣地區：也歡迎您上網登入註冊享有保固服務，請至保固卡網站：www.trwarranty.com.tw

香港地區：歡迎您上網登入產品註冊享有保養服務，請至網站：

www.ecovacs.com/hk-zh/support 或 www.ecovacs.com/hk/support

願 ECOVACS ROBOTICS 成為您生活的好幫手！

不只是機器人，更是家人

本資料產品以實物為準，原廠保留產品更新的權利，如有變動，恕不另行通知。

感謝您選擇 ECOVACS !



立即加入 ECOVACS 粉絲團
限台灣地區



立即加入 ECOVACS Facebook
限香港地區

目錄

1.安全規範	26
2.產品內容	29
3.產品使用	32
4.維護保養	37
5.指示燈與警示音	41
6.故障排除	42
7.技術規格	44