

the Lift & Look™ Plus

Instruction Book - Suits all BTA360 and BTA380 Models



Breville®

Breville Customer Service Centre

Australian Customers

Mail: Locked Bag 2000
Botany NSW 1455
AUSTRALIA

Phone: 1300 139 798

Fax: (02) 9700 1342

Email: Customer Service:
askus@breville.com.au

Web: www.breville.com.au

New Zealand Customers

Mail: Private Bag 94411
Manukau 2163
Auckland NEW ZEALAND

Phone: 0800 273 845

Fax: 0800 288 513

Email: Customer Service:
askus@breville.co.nz

Web: www.breville.co.nz

Breville®
Thought for food

Breville is a registered trademark of Breville Pty. Ltd. A.B.N. 98 000 092 928.
Copyright Breville Pty. Ltd. 2015.

Due to continued product improvement, the products illustrated/photographed
in this brochure may vary slightly from the actual product.



Contents

- 1 Breville Recommends Safety First
- 5 Components
- 6 Functions
- 8 Care & Cleaning / Storage

IMPORTANT SAFEGUARDS

At Breville we are very safety conscious. We design and manufacture consumer products with the safety of you, our valued customer, foremost in mind. In addition we ask that you exercise a degree of care when using any electrical appliance and adhere to the following precautions.

BREVILLE RECOMMENDS SAFETY FIRST

READ ALL INSTRUCTIONS BEFORE USE AND SAVE FOR FUTURE REFERENCE

- Remove and safely discard any packaging material or promotional labels before using the toaster for the first time.
- To eliminate a choking hazard for young children, remove and safely discard the protective cover fitted to the power plug of this appliance.
- Do not place the toaster near the edge of a table, counter or bench top during operation. Ensure the surface is level, clean and free of water.
- Do not place the toaster on or near a hot gas or electric burner, or where it could touch a heated oven.
- Keep appliance clear of walls and other heat sensitive materials such as cloths and curtains.
- Do not use the toaster on a sink drainboard.
- Always ensure the toaster is properly assembled before use. Follow the instructions provided in this book.
- The appliance is not intended to be operated by means of an external timer or separate remote control system.
- Bread may burn, therefore this toaster must not be used near or below curtains or other combustible material and it must be supervised at all times when in use.
- Ensure that bread to be toasted is the correct size for the toaster and does not protrude above the bread slice opening. Ensure the bread is not too thick or too long that it will jam or wedge the bread carriage.
- Never cover the toaster whilst it is plugged into the power outlet or while hot.
- Do not place toast directly on top of toasting slots to warm toast as this may prevent correct air circulation and damage the appliance.
- Do not move the toaster whilst in operation or when hot.
- Do not touch hot surfaces. Use side areas for lifting and carrying the appliance.
- Do not leave the toaster unattended when toasting.
- Always turn the power off at the power outlet and then remove the power plug from the power outlet before attempting to move the appliance, when the appliance is not in use and before cleaning or storing.
- Do not allow breadcrumbs to accumulate in the bottom of the toaster. Failure to clean the crumb tray regularly may result in a fire hazard.
- Do not clean with metal scouring pads. Pieces can break off the pad and touch electrical parts creating an electric shock hazard.
- Keep the appliance clean. Follow the cleaning instructions provided in this book.

IMPORTANT SAFEGUARDS FOR ALL ELECTRICAL APPLIANCES

- The temperature of accessible surfaces may be high when the appliance is operating.
- Unwind the power cord fully before use.
- Do not let the power cord hang over the edge of a table counter, touch hot surfaces or become knotted.

- To protect against electric shock, do not immerse power cord, power plug or appliance in water or any other liquid.
- Children should be supervised to ensure they do not play with the appliance.
- Cleaning and user maintenance should not be made by children unless they are older than 8 and supervised.
- Any maintenance other than cleaning should be performed at an authorised Breville Service Centre.
- Keep the appliance and its cord out of reach of children less than 8 years old.
- Appliances are not intended to be operated by means of an external timer or separate remote-control system.
- This appliance is intended for household use only.
- Do not use this appliance for anything other than its intended use. Do not use in moving vehicles or boats. Do not use outdoors.
- It is recommended to regularly inspect the appliance. Do not use the appliance if power cord, power plug or appliance becomes damaged in any way. Return the entire appliance to the nearest authorised Breville Service Centre for examination and/or repair.
- The installation of a residual current device (safety switch) is recommended to provide additional safety protection when using electrical appliances. It is advisable that a safety switch with a rated residual operating current not exceeding 30mA be installed in the electrical circuit supplying the appliance. See your electrician for professional advice.
- This appliance can be used by children aged from 8 years and above and persons with reduced physical, sensory or mental capabilities or lack of experience and knowledge if they have been given supervision or instruction concerning use of the appliance in a safe way and understand the hazards involved.

SAVE THESE INSTRUCTIONS



WARNING

- Never operate toaster on its side. Never add any food substance to the bread, bagel, English muffins or crumpets as this can lead to electrocution or fire.
- This toaster is for toasting bread, bagels, crumpets and English muffins only. Placing other items in the toaster can lead to electrocution or fire.



Components



- A. Extra wide self-centering slots
- B. HIGH LIFT lever
- C. A BIT MORE™ button
- D. FROZEN button
- E. BROWNING CONTROL dial
- F. CANCEL button

- G. Slide out crumb tray
- H. Durable finish
- I. Power cord storage



Functions

Before first use, remove any packaging material or promotional labels attached to your toaster.

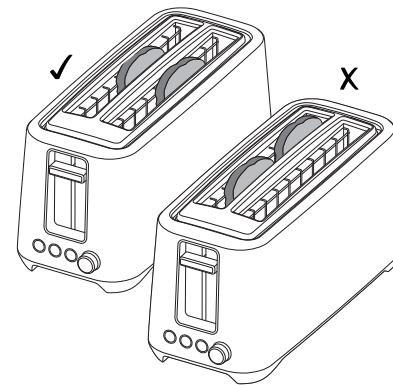
1. Insert the power plug into a 230/240 volt power outlet and then turn the power on.



NOTE

When using the toaster for the first time, we suggest toasting without bread. The toaster may emit a thin smoke or distinct odour on initial use. This is normal and not detrimental to the performance of the toaster.

2. Place the bread, crumpet or half an English muffin or bagel into the toasting slot. Ensure items for toasting are not too long or thick to fit the toasting slots.
3. If toasting 2 slices of bread in the 4 slice toaster, we recommend placing the bread as per the illustration below for optimal toasting results.



4. Select the desired browning setting using the browning control dial. Colour settings range from '1' lightest to '6' darkest.



NOTE

When using the toaster for the first time, we suggest toasting the bread on setting 2 or 3.

Varying types of bread and personal preference may require a different browning setting, for example, fruit bread and white light-textured breads may require a lower setting, whilst heavier textured rye breads may require a darker setting.

5. Press the HIGH LIFT lever down until it locks into position. The toasting cycle will automatically commence.



NOTE

If the toaster is not plugged in and switched on at the power outlet, the high lift lever will not lock into position. This is for safety reasons.

6. The toaster stops toasting when it has reached the end of the selected browning setting. The toasting carriage will automatically rise from the locked position. The toasting process can be stopped at any time by pressing the CANCEL button.



WARNING

Do not leave unattended when in use as toast may jam or wedge in the bread carriage. Never attempt to extract toast, crumpets, bagels or English muffins or any other item that has jammed or wedged in the toaster with a knife or any other object, as contact with live elements may not only damage the elements, but can cause electrocution.

'LIFT & LOOK'™ FEATURE

This feature can be used to check on the progress of the toasting cycle without interrupting it. Simply raise the HIGH LIFT lever to check on the browning progress of the toast and lower it down again if you wish to continue to toast.

HIGH LIFT LEVER

To remove smaller items such as crumpets and muffins, lift the HIGH LIFT lever approximately 2cm above the starting position. In the unlikely event that the bread, crumpet, bagel or English muffin become jammed, switch the power off at the power outlet. Remove the power plug from the power outlet and then use the HIGH LIFT lever to carefully ease the bread out of the toaster, ensuring that you do not damage the self-centring slots or the elements.

FROZEN SETTING

Toasting Frozen Bread

To toast frozen bread, place the bread into the toasting slots, select the browning setting you would normally select if the bread was fresh, lower the HIGH LIFT lever until it locks into position and then press the FROZEN button. Pressing the FROZEN button will automatically extend toasting time of your selection.

'A BIT MORE'™ SETTING

For Extra Toasting

This feature can only be selected after the toasting cycle.

Use this feature after the toasting cycle if your toast requires a bit more toasting. Once the toast has popped up after the initial toasting selection has completed, lower the HIGH LIFT lever back down and then press the A BIT MORE™ button.



NOTE

The A BIT MORE™ setting will add approximately 30 seconds toasting time.

CANCEL BUTTON

To Stop Toasting

The toasting cycle can be cancelled at any time by pressing the CANCEL button. The toaster will turn off and automatically raise the toast.



Care & Cleaning/ Storage

CARE AND CLEANING

1. Switch the toaster off at the power outlet and then remove the power plug from the power outlet. Allow the toaster to cool completely before cleaning.
2. To clean any crumbs from the toaster, remove the crumb tray (located under the control panel at the front of the toaster) by pulling it outwards. Empty and replace the crumb tray before using the toaster again. Replace the crumb tray by sliding it inwards until it locks into position.
3. To remove any additional crumbs, turn the toaster upside down over a bin and shake crumbs free.
4. Wipe the outside of the toaster with a slightly dampened soft cloth and then dry completely with a soft dry cloth.



NOTE

Do not clean with metal scouring pads. Pieces can break off the pad and touch electrical parts creating an electric shock hazard.

STORAGE

Switch toaster off at the power outlet and remove the power plug from the power outlet. Allow the toaster to cool completely before storing. Follow the directions for cleaning and store in an upright position on a flat surface on a bench top or in an accessible cupboard. Do not store anything on top of the toaster.



WARNING

Do not use the toaster without the slide-out crumb tray in position. Do not allow crumbs to build up in the crumb tray. Failure to clean the crumb tray regularly may result in a fire hazard.

