

the Boss To Go™

Instruction Book - BPB500



Download from:
breville.com.au/the-Boss-To-Go

Breville®

BREVILLE RECOMMENDS SAFETY FIRST

At Breville we are very safety conscious. We design and manufacture consumer products with the safety of you, our valued customer, foremost in mind. In addition we ask that you exercise a degree of care when using any electrical appliance and adhere to the following precautions.

IMPORTANT SAFEGUARDS

READ ALL INSTRUCTIONS BEFORE USE AND SAVE FOR FUTURE REFERENCE

- Remove and discard all packaging materials and stickers before first use.
- To avoid choking hazard for young children, remove and safely dispose the protective cover fitted on the power plug.
- This appliance is for household use only. Do not use it in moving vehicles or boats, do not use it outdoors, and do not use it for anything other than its intended use. Misuse can cause injury.
- Children shall not use or play with this appliance. Keep the appliance and its cord out of reach of children.
- This appliance can be used by persons with reduced physical, sensory or mental capabilities or lack of experience and knowledge if they have been given supervision or instruction concerning use of the appliance in a safe way, and understand the hazards involved.
- Do not use the appliance near the edge of a countertop or table. Ensure the surface is level, clean and free of water and other substances. Please be aware that vibration during use may cause the appliance to move.
- Do not use the appliance on (or close to) a hot gas or electric burner, or where it could touch a heated oven or surface.

- Do not allow the cord to hang over the edge of a countertop, or to become knotted.
- To avoid electric shock, do not immerse the cord, plug or motor base in water (or other liquids).
- Installation of a residual current device (a standard safety switch on your wall socket) is recommended to provide additional safety protection when using appliances. It is advisable that a safety switch (with a rated residual operating current not more than 30mA) be installed in the electrical circuit supplying the appliance. Contact your electrician for further professional advice.
- In order to avoid the possible hazard of the blender starting by itself due to inadvertent resetting of the overload protector on the motor, do not attach an external switching device (such as a timer) or connect the blender to a circuit that can regularly switch the blender on and off.
- Do not operate appliance with a damaged cord or plug, or after appliance malfunctions, or if dropped or damaged in any way. Stop use immediately and contact Breville by phone or email for replacement or repair.
- All maintenance (other than cleaning) is to be done by an authorised Breville Service Centre.
- Authorised Breville Service Centres can be found on our website **www.Breville.com.au** Alternatively, you can contact the Breville Customer Care Centre by phone on **1300 139 798** or email **AskUs@breville.com.au**

SAFEGUARDS FOR YOUR EXTRACTOR BLENDER

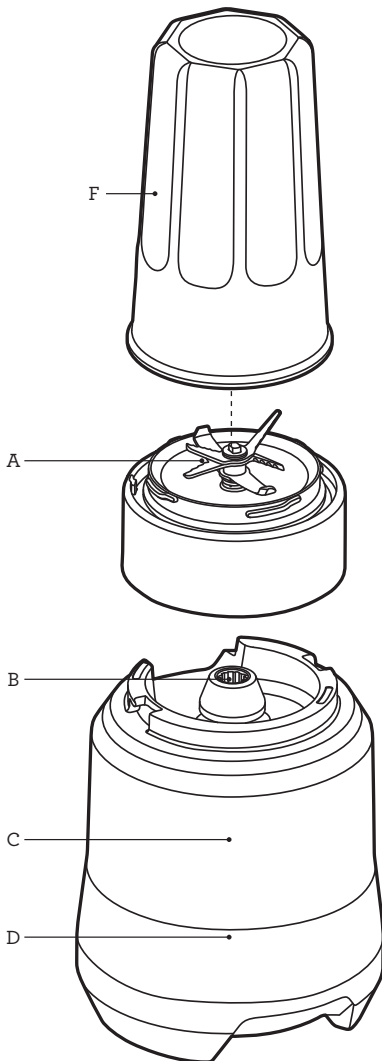
- Wash all cups, blade assembly and other accessories with warm soapy water before first use.
- Use only cups, blade assembly and accessories that are supplied with this extractor. The use of attachments or accessories not manufactured or specified by Breville may cause the risk of fire, electrical shock, or injury.
- Always ensure the extractor is assembled properly before using. Blades must be firmly secured to cup before operation to ensure internal contents do not escape or spray.
- Never attempt to operate or place the blade assembly onto the motor base without the cup in place.
- Under a heavy load, do not operate continuously for more than 10 seconds. Allow the motor to rest for 1 minute between uses on heavy loads. A heavy load is defined as per the appliance safety standard specified load (500mL cup filled to the maximum indicated level with a mixture comprising two parts by mass of soaked diced carrots and 3 parts water). Any load equivalent to this or heavier should not be operated for more than 10 seconds at a time. Note that none of the recipes supplied with this product are considered heavier than this load.
- Do not fill the cup past the MAX level marking as this will cause the motor to strain under heavy load and may cause potential leakage. It will also reduce blending performance. Note that some mixtures increase in volume when blending.

- Do not put any parts or accessories in a microwave.
- Do not blend carbonated liquids, as they will expand.
- Do not leave the extractor unattended when in use.
- Keep hands, fingers, hair and clothing away from the extractor during use.
Always unplug at the wall before touching the motor coupling or surrounding area.
- Be careful when handling and cleaning blades, as they are very sharp. Mishandling of the blades may cause injury.
- Avoid putting the cup on the motor base while the motor is still spinning.
- The extractor is intended for food or drinks preparation. Do not use for anything other than food or drinks. Do not operate without any ingredients in the cup.
- Never attempt to operate with damaged blades, or with utensils, or any foreign objects inside the cup.
- Never blend hot or warm ingredients in this blender.
- Do not put the cup in extremes of heat or cold, for example placing a cold cup into hot water, or vice versa.
- Before moving the extractor, cleaning or putting it away for storage, always turn the cup to the off position and unplug at the wall.
- Always disconnect from the supply if left unattended and before assembling, disassembling or cleaning.

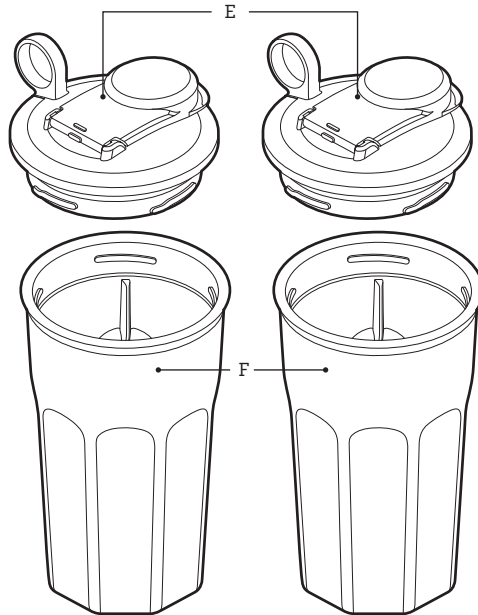
SAVE THESE INSTRUCTIONS



Components



- A. Kinetix[®] blade and bowl assembly
Contoured to the base of the blade assembly to create rapid circulation, with serrated central blades for extra cutting performance.
- B. Heavy duty metal coupling
For durable and long lasting performance under demanding conditions.
- C. Heavy duty 800W motor
High velocity power for outstanding results.
- D. Durable die-cast metal base



E. Portable lids

2 handy lids to take your smoothie on the go.

F. 2 Large 500ml Tritan® Tumblers

One for you, one for me. Impact resistant, shatter proof and dishwasher safe.

EASTMAN TRITAN™ COPOLYESTER

The tumbler cups are made with Eastman Tritan™ copolyester, which is a tough, BPA-free polymer used to make housewares products that can stand up to extreme use and repeated dishwasher cleaning. Products made from Tritan™ are impact resistant and shatter resistant and stay clear and durable even after hundreds of cycles in the dishwasher.

BREVILLE ASSIST™ PLUG

Your Breville appliance comes with a unique Breville Assist™ Plug, conveniently designed with a finger hole for easy removal from the wall outlet.



Assembly

BEFORE FIRST USE

- Before using your extractor for the first time, remove any packaging material and promotional labels.
- Be careful when handling the blades as they are extremely sharp.
- Wash the tumblers, lids, blade assembly and attachments in warm soapy water with a soft cloth. Rinse and dry thoroughly. All parts (except motor base) may be washed in the dishwasher, on the top shelf.
- When first using your blender, you may notice an odour coming from the motor. This is normal and will dissipate with use.

ASSEMBLY

1. Remove blades and position the cup with opening facing up.
2. Add ingredients avoiding filling past the MAX line.
3. Fix the blade assembly in place with a quarter turn in the clockwise direction. Ensure the blade assembly collar is securely in place before inverting the cup to blend.



Functions

OPERATION

- The blender will only work when the blades and cup are correctly assembled. This engages the safety interlock, and allows the motor to run.
- When the cup and blade assembly is correctly assembled with ingredients inside, invert cup, and place onto the motor base using the alignment graphics.
- To blend, securely hold the cup assembly and twist clockwise on the base to the ON position.
- When the desired consistency is reached, turn tumbler anti-clockwise to release and disengage the motor.
- Do not blend continuously for more than 60 seconds at a time. Allow the motor to rest for 2 minutes before continuing.
- Ingredients can be pulsed by rotating the cup within the bayonet positions, which will turn the motor on and off.
- When finished blending, wait a few seconds for the blades to stop spinning before lifting the jar assembly off the motor base.
- Invert the cup and allow the ingredients to run off the blades for a few seconds before unscrewing blades. Hold by the blade collar, and turn anti-clockwise to remove.
- For safety, turn the motor base off at the wall and unplug when finished blending.



Hints & Tips

OVERLOAD PROTECTION SYSTEM

- The blender is equipped with an internal self resetting overload protector to protect the motor from damage under heavy or continuous loads. If the extractor suddenly stops during use, this protector may have tripped.
- Remove the cup, unplug and leave it to cool for at least 30 minutes. Do not replace the cup assembly while cooling as the protector may reset causing it to start unexpectedly.
- Tripping the protector indicates that the extractor is being loaded too heavily, or with excessive continuous use. Reduce the amount of ingredients used or allow more time in between blending to prevent it from happening again, which will help preserve the life of the motor.
- The MAX line is usually a good indicator to prevent overly heavy loading, however some especially dense combinations of ingredients may still strain the motor. If the motor seems to be straining or running slowly, only operate for 10 seconds at a time, or reduce the amount of ingredients used. Adding more liquid can also help to loosen dense mixtures.
- Note that none of the recipes in the recipe book provided with this product are considered a heavy load.
- Never blend hot (or even warm) ingredients. The blades form a seal with the cups, and there is no venting for steam to be released.
- We recommend not blending longer than the recommend times in the recipes provided with this product, or no more than 1 minute at a time. Ingredients in the cup may become warm and cause internal pressure on the seals making it difficult to open or splatter ingredients when opened. Allow to cool and take care when opening.
- Always add liquids for optimum blending. If the blending action is not causing the ingredients to circulate, try adding more liquid.
- If the results are lumpy, try reducing the ingredients, or blending in batches.
- Run the extractor only for the appropriate amount of time required – do not over blend ingredients.
- If foods are thick, use a pulsing action by twisting the cup to engage and disengage the motor as needed. This will help ingredients circulate.
- Do not exceed the maximum mark when adding foods and liquids into the cup.
- To stop blending at any time, rotate the cup anti-clockwise to disengage the motor.
- The maximum amount of ice cubes the extractor can process is 4 from a standard ice tray. This also applies to frozen fruit. Cut fruit into pieces of a similar size to an ice cube before freezing.



Troubleshooting

Motor doesn't start or blade doesn't rotate

- Check that the power plug is properly inserted into the power outlet.
- Overload Protection System may have operated (see below).

Blender stopped suddenly while in use

- This extractor has overload protection to prevent damage to the motor, which may have operated. Unplug, remove the cup and allow the motor to cool down for 30 minutes. Once cooled, you will be able to use as usual again.
- We recommend blending in smaller batches, or cutting ingredients into smaller pieces. See Overload Protection System section for detailed information.

Food is lumpy or unevenly blended

- This can happen when too much food is being blended at one time. Try a smaller amount, and work in batches if necessary.
- The ingredients may be too large. Try cutting into smaller pieces. For best results, ingredients should be in pieces no larger than 2cm.

Food sticks to blade and cup

- The mixture may be too thick. Try adding more liquid and/or pulsing the blender.
-



Care & Cleaning

Unplug the power cord from the power outlet after use for safety reasons.

Tumbler cups and lids

To keep your cups and lids clean, avoid allowing food residue to dry on them. Follow these steps as soon as possible after use:

- Rinse most of the residue off the blades, cup and lid.
- Hand wash in warm, soapy water using a mild liquid detergent and non-abrasive sponge.

Motor base

To clean the motor base, wipe with a soft, damp cloth then dry thoroughly. Wipe any excess food particles from the power cord.

Cleaning agents

Do not use abrasive scouring pads or cleansers on either the motor base or the cups, as they may scratch the surface. Use only warm soap water with a soft cloth.

Dishwasher

The cups, lids and blade assembly may be washed in the dishwasher on the top shelf only.

Stubborn food stains and odours

Strong smelling foods such as cumin and coriander, and some vegetables such as carrots may leave an odour or stain the blades, cup or lid.

To remove, pour warm soapy water and fill to the MAX mark. Set aside to soak for 5 minutes. Then wash with a mild detergent and warm water, rinse well and dry thoroughly. Store cups with lids off.

Citrus

Exposure to citrus oil may affect the clarity and longevity of the Tritan cups. After washing in detergent, rinse with plain water thoroughly, and allow to dry immediately. Do not soak if citrus has been blended.

Storage

Store upright with the cups and blades assembled and resting on the motor base, or beside it. Do not store with the cup turned to the ON position, as this means the motor is engaged and will turn on immediately when plugged in or switched on at the wall.

Breville Customer Service Centre

Australian Customers

Mail: Locked Bag 2000
Botany NSW 1455
AUSTRALIA

Phone: 1300 139 798

Fax: (02) 9700 1342

Email: Customer Service:
askus@breville.com.au

Web: www.breville.com.au

New Zealand Customers

Mail: Private Bag 94411
Botany Manukau 2163
Auckland NEW ZEALAND

Phone: 0800 273 845

Fax: 0800 288 513

Email: Customer Service:
askus@breville.co.nz

Web: www.breville.co.nz

Breville®
Thought for food

Breville is a registered trademark of Breville Pty. Ltd. A.B.N. 98 000 092 928.
Copyright Breville Pty. Ltd. 2015.

Due to continued product improvement, the products illustrated/photographed
in this brochure may vary slightly from the actual product.