

OA416 rangehood

60cm or 90cm retractable

ID040607

codes —

60cm white 3030

90cm white 3032

60cm white s/steel rail 3031

90cm white s/s rail 3033



FINISH	white enamel body, stainless steel front rail
INSTALLATION	built into overhead cabinetry
MOTOR	100 watt single shaded motor with impellor
CONTROLS	front mounted right
SPEEDS	3 settings — OFF (telescopic deflector shut, LOW, MID, HIGH)
ILLUMINATION	two 40 watt SES tubular globes, separate on/off switch
AUTOMATION	preset fan speed and light
CAPACITY	310 cubic metres/hour net, 350 cubic metres/hour gross
FILTER	one-piece, 3-ply aluminium grease filter (removable)
AIR EXTRACTION	ducted or recirculated (125mm diameter pipe required)
OPTION	activated charcoal filter, 60cm code CF3061, 90cm code CF3062
WARRANTY	two years parts and labour

APPLICATION

Mounted above cooktop in cupboard, suspended from shelf in cabinetry cavity. Retractable front fascia rail is fully integrated into cupboard line when rangehood is not in use. Front rail is replaceable by decor strip.

AUTOMATION

Preset fan speed and/or lights to operate automatically when rail is pulled outward. Manual override on fan and light.

MAINTENANCE

Easy lift-out grease filter is washable; removable light diffuser for bulb access. All clean lines for wipe-over maintenance.

PERFORMANCE

Highly-efficient air extraction of up to 350 cubic metres an hour further enhanced by large catchment area when all-metal visor is telescoped outwards.

QUIETNESS

37-53 dB. The motor/impellor encasement and flues are all smooth-walled to minimise air drag and hence noise, welded metal joints for no vibration.

SAFETY

Thermal overload protector on motor; fire-retardant hardened metal and mesh. VO self-extinguishing polycarbonate for motor housing and internal flue.

DUCTING

Ideally the extracted air is ducted direct to the atmosphere via the top exit. This direct ducting ensures maximum removal of the grease, oil particle-laden vapour and, importantly, the removal of the heat and odours, resulting in a more comfortable cooking environment. A collar is provided for the exit to fit 125mm round ducting, whether it be galvanised sheet piping, high temperature rated PVC or flexible tubing.

RECIRCULATING

When the cooking vapours cannot be ducted, simply redirect the extracted and filtered air into the kitchen via a duct pipe through the overhead cabinetry. A more frequent inspection and cleaning of the grease filter is recommended.

CHARCOAL FILTER

A purchasable accessory and easily fitted within the grease filter, it effectively diminishes cooking odours in the recirculation mode. These filters are not to be washed and are replaceable.

WARRANTY

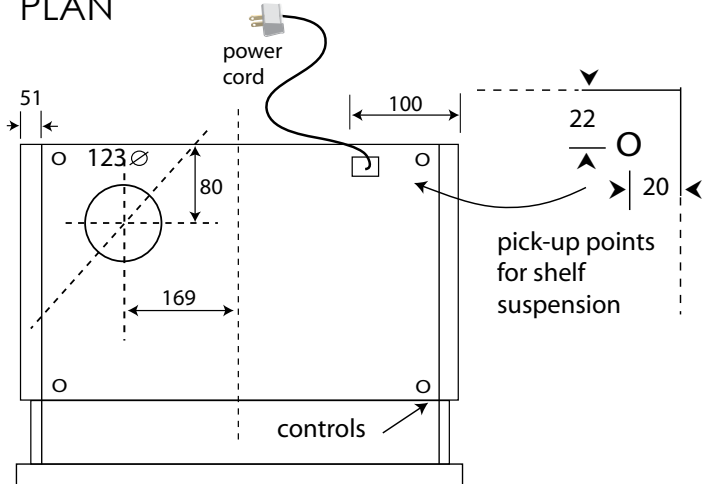
Two years parts and labour.

OA416 rangehood

60cm or 90cm retractable

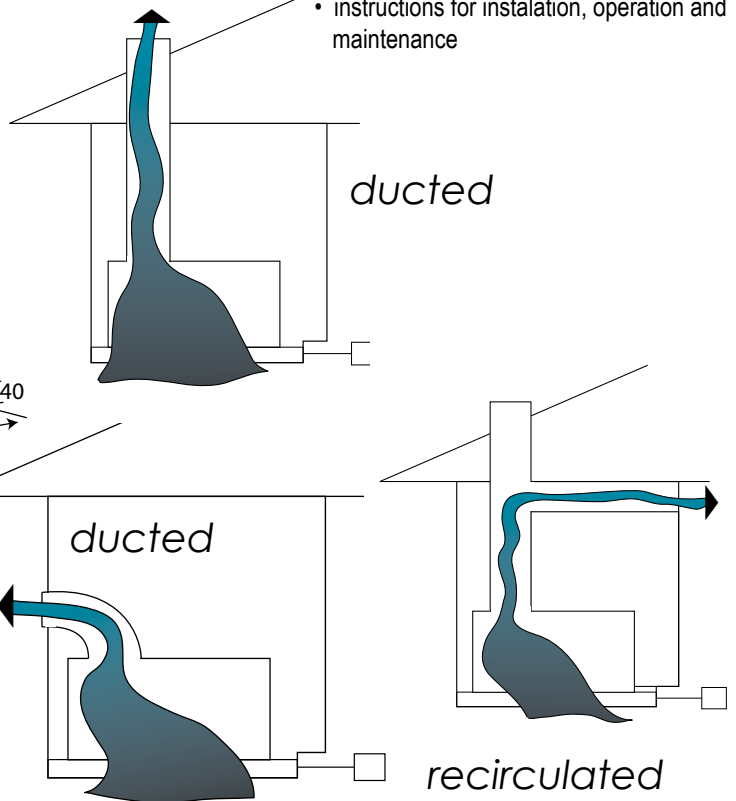
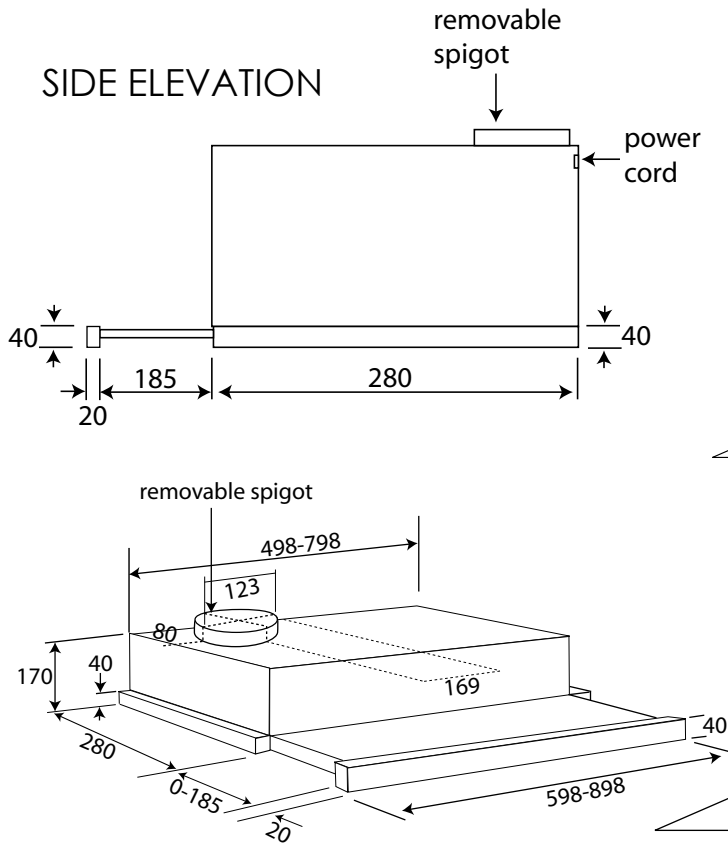
ID040607
 codes —
 60cm white 3030
 90cm white 3032
 60cm white s/steel rail 3031
 90cm white s/s rail 3033

PLAN



height	170mm
width	598mm, 898mm
depth	retractable visor 300mm/485mm
packaged dimensions	60cm: 645mm x 390mm x 255mm = 0.65m ³ 90cm: 945mm x 390mm x 255mm = 0.94m ³
net weight	60cm: 9.6kg — 90cm: 12.8kg
gross weight	60cm: 10.7kg — 90cm: 14.3kg
capacity	310m ³ /hr gross, 310m ³ /hr net
noise rating	37–53 dB
electrical supply	240 volt, 50 Hz
electrical connection	1.25m connected power cord with 3-pin suitable for standard 10 amp GPO
motor	single-shaded pole
wattage	motor: 100 watt light: 2 x 40 watt SES tubular globes total: 1800 watt
maximum current	1.0 amp
air exit aperture	123mm diameter for 125mm (5") dia duct pipe
supplied	<ul style="list-style-type: none"> • template for mounting • spigot for duct pipe • screws • instructions for installation, operation and maintenance

SIDE ELEVATION



NB: drawings are not to scale — they are to assist only

air filtering options

WARNING: technical specifications and product sizes can be varied by the manufacturer. For product specifications and product sizes for appliances should only be by physical product measurements. The above information is indicative only.