



The most  
powerful  
lightweight  
cordless  
vacuum  
cleaner.

Powered by Dyson digital motor

dyson digital slim

## Loses suction power as you vacuum.

This leading cordless vacuum cleaner claims that it's accessible and works well. But suction drops by 60% after removing just 5 grams of dust.



## Dyson starts strong and stays strong.

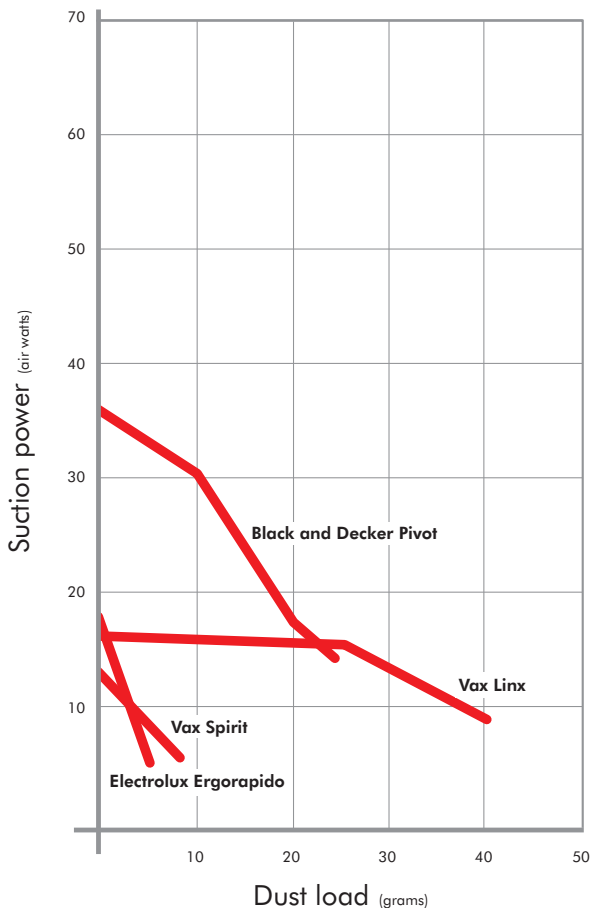
The Dyson Digital Slim™ vacuum cleaner is more powerful than any lightweight cordless vacuum cleaner – and it doesn't lose suction. So it removes more dirt around the home – up top, down below and in-between.



# In fact, all other cordless vacuum cleaners lose suction in use.

It's because their batteries deliver power unevenly, while their filters clog with dust and reduce the airflow.

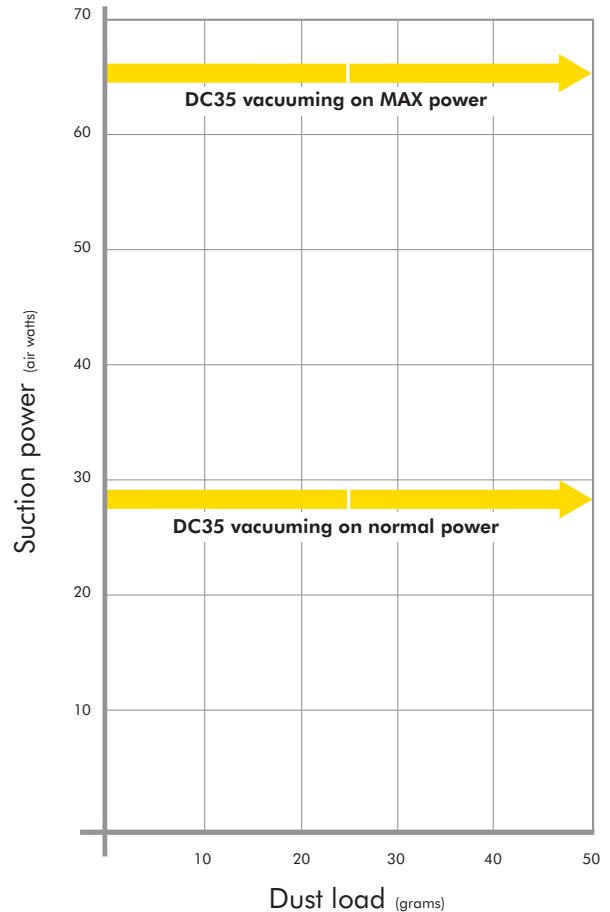
Graphs show suction power as machines are loaded with dust.



Suction power tested to either 1 binful or when the observed value of the vacuum has dropped to 40% of the original measured pressure using a method based on IEC 60312 clause 2.9. Results in different households may vary.

# DC35 maintains powerful constant suction because it combines:

1. Dyson digital motor. Up to 3 times faster than conventional motors. Creates the most power-efficient cordless vacuum cleaner.
2. Radix Cyclone™ technology. Patented technology that doesn't lose suction as you vacuum.
3. Lithium-ion battery. Releases charge evenly, with no drop-off.



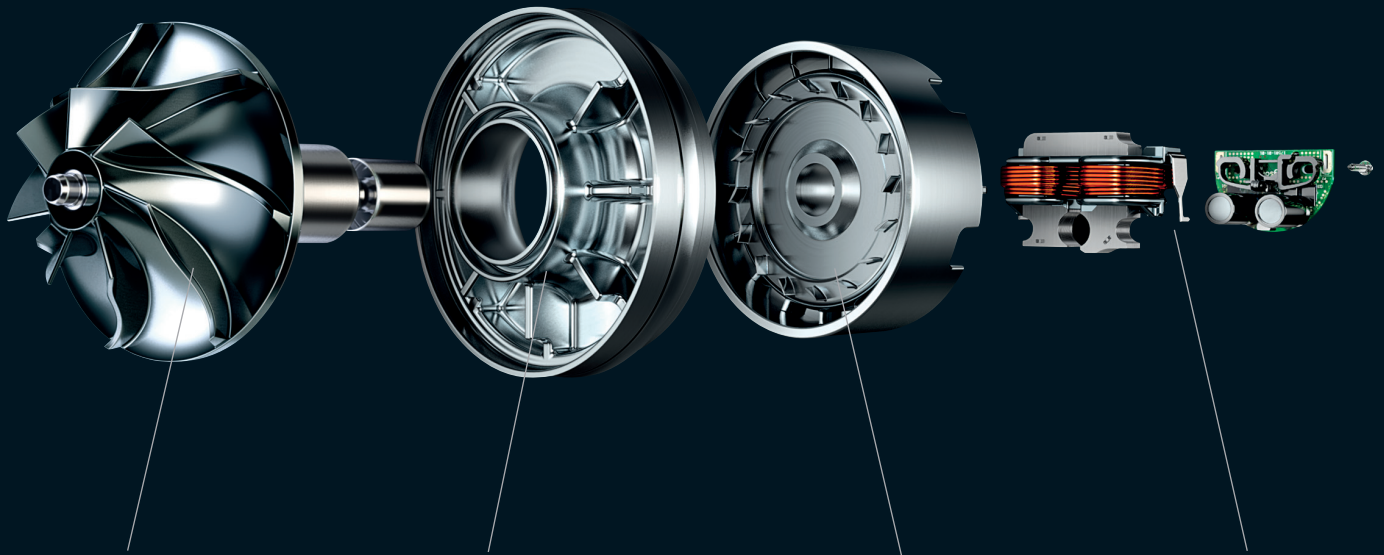
Suction power tested over 2 binfuls using a method based on IEC 60312 clause 2.9. Results in different households may vary.

# Concentrated technology

Concentration is about making something smaller without compromising performance or durability. For Dyson engineers, it's a systematic process where every component is interrogated and painstakingly developed and tested. Smaller and lighter without compromising performance.

## Dyson digital motor

Conventional motors work by passing current through their carbon brushes, making them spin. Lots of sparks, heat and wasted energy. In the Dyson digital motor, intelligent electronics constantly adjust to create a powerful magnetic field – spinning a neodymium magnet 104,000 times a minute.



Impeller and magnet spin up to 104,000rpm.

Impeller shroud creates closed profile.

Vane diffuser recovers more air power from the airflow.

Capacitors and circuit board control power and speed.

# Motorised floor tool

## Anti-static carbon fibre brushes for hard floors

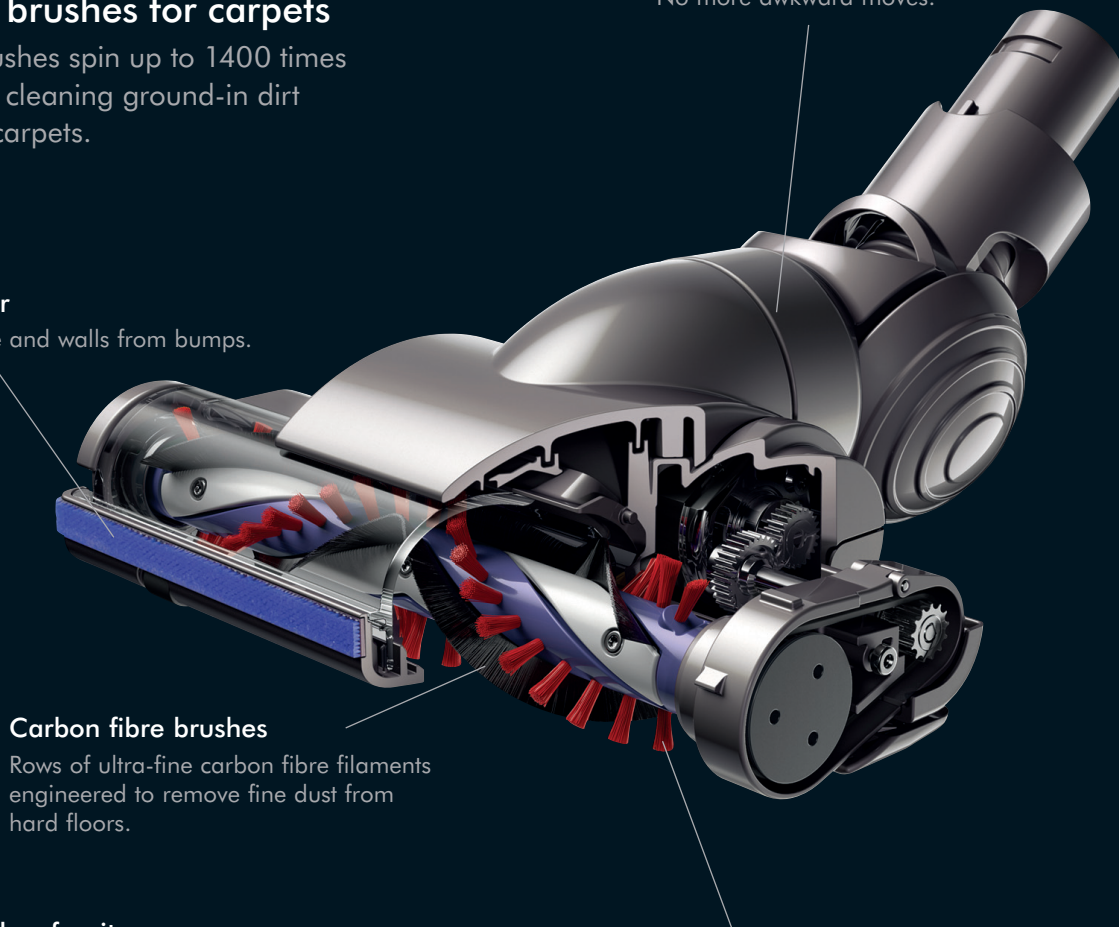
Dyson's carbon fibre brush bar has rows of ultra-fine brushes engineered to remove fine dust from hard floors. These brushes are made from pure carbon fibre, selected for its anti-static properties.

## Stiff nylon brushes for carpets

Stiff nylon brushes spin up to 1400 times a minute. For cleaning ground-in dirt on rugs and carpets.

## Velour bumper

Protects furniture and walls from bumps.



## Pivots for easier steering

Cleaner head pivots 180° without losing contact with the floor. No more awkward moves.

## Carbon fibre brushes

Rows of ultra-fine carbon fibre filaments engineered to remove fine dust from hard floors.

## Cleans under low furniture

82mm cleaner head. Also stays flat to the floor when pulling back and when the machine is fully reclined.



## Stiff nylon brushes for carpets

Stiff nylon brushes remove ground-in dirt from carpets.



# DC 35 multi floor

For every floor type.  
Up top, down below and in-between.

## Dual power mode

**15 minutes**

High constant suction.  
(13 mins with motorised  
floor tool attached).

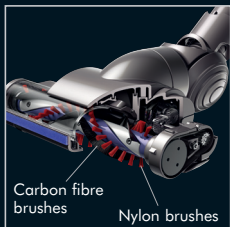
**6 minutes**

MAX power for more  
difficult tasks.



### Dyson digital motor

Up to 3 times faster than conventional motors. Creates the most power-efficient cordless vacuum cleaner.



### Motorised floor tool with carbon fibre brushes

Ultra-fine conductive carbon fibre brushes clean hard floors. Rotating nylon brushes remove more dirt from carpets.

Carbon fibre brushes  
Nylon brushes



### Lithium-ion battery

Releases charge evenly. Recharges up to 3 times faster than others.



### Radix Cyclone™ technology

Patented technology that doesn't lose suction as you vacuum.

### Tough construction

Made from the strongest materials available, to withstand bumps.

### Pivots for easier steering

Cleaner head pivots 180° without losing contact with the floor. No more awkward moves.



### Hygienic one-touch bin emptying

Just push the button to release the dirt.

### Detachable long-reach wand

Reaches high, low and into awkward gaps.

### Docking station

Recharges and stores the machine and attachments when not in use.

### Remote charging

Battery can be recharged away from the machine and the docking station.



### Crevice tool

For cleaning in tight gaps and narrow spaces.



### Combination accessory tool

Nozzle converts to a brush tool for dusting.

# dyson digital slim

For every floor type.

Up top, down below and in-between.



All Dyson vacuum cleaners come with a 2 year guarantee and are supported by Dyson's own Aftersales Service. If you need assistance or advice, our Customer Care team are always happy to help.

**Australia**

**1800 239 766**

**[www.dyson.com.au](http://www.dyson.com.au)**

Monday - Friday 8:00am to 6:00pm EST

Saturday - Sunday 8:30am to 4:00pm EST